

DISTRIBUTION BOX

Xinchi (China) Electric Co.,Ltd.

Add: Fangdouyan East Industrial Zone, Liushi Town, Yueqing, Zhejiang, China
Tel: 0086 577 62890205
Fax: 0086 577 62890578
Phone: 0086 13506679203
E-Mail: julie@chinasuntree.com

Shanghai Xinchi Electric Co.,Ltd.

Add: No. 65 Haifeng Road, Baoshan District, Shanghai, China
Tel: 0086 21 51619313
Phone: 0086 13757784653
E-Mail: tracy@chinasuntree.com

Yueqing Xinchi IMP&EXP Co.,Ltd.

Add: Fangdouyan East Industrial Zone, Liushi Town, Yueqing, Zhejiang, China
Tel: 0086 577 61788115
Fax: 0086 577 62890578
Phone: 0086 13567768082
E-Mail: tony@chinasuntree.com
Http://www.chinasuntree.com

Quality Changes The World
Innovation Leading the Future

DISTRIBUTION BOX

DISTRIBUTION BOX



www.chinasuntree.com



DISTRIBUTION BOX

Xinchi (China) Electric Co.,Ltd.

Add: Fangdouyan East Industrial Zone, Liushi Town, Yueqing, Zhejiang, China
Tel: 0086 577 62890205
Fax: 0086 577 62890578
Phone: 0086 13506679203
E-Mail: julie@chinasuntree.com

Shanghai Xinchi Electric Co.,Ltd.

Add: No. 65 Haifeng Road, Baoshan District, Shanghai, China
Tel: 0086 21 51619313
Phone: 0086 13757784653
E-Mail: tracy@chinasuntree.com

Yueqing Xinchi IMP&EXP Co.,Ltd.

Add: Fangdouyan East Industrial Zone, Liushi Town, Yueqing, Zhejiang, China
Tel: 0086 577 61788115
Fax: 0086 577 62890578
Phone: 0086 13567768082
E-Mail: tony@chinasuntree.com
Http://www.chinasuntree.com

Quality Changes The World
Innovation Leading the Future

DISTRIBUTION BOX

DISTRIBUTION BOX



www.chinasuntree.com



BOX DISTRIBUTION





The voice of customer has always been the vitality of development of Suntree Electric and the only standard for Suntree Electric to measure its product quality.

We better understand the value of product by listening to the customer and get to know the development direction of product by understanding the customer. With the concept of customer orientation, Suntree Electric creates a variety of products ranging from civilian products to industrial products, from circuit breakers to photovoltaic products. Every step witnessed the development of intelligent power system and considered the customer's voice. Now our electric meter boxes still expect your voice.





Company Profile

Xinchi Electric Co.,Ltd, is specialized in Intelligent electrical products, with world vision. Xinchi registered capital is RMB50,000,000, with six holding subsidiaries, annual output over RMB100 million, export over \$10 million.

XinChi Electric Co.,Ltd. is one of the most professional manufacturers producing low-voltage and high-voltage electrical products, we mainly produce circuit breakers, contactors, and thermal overload relay. Fuse, Switch-disconnectors, ATS, Distribution box, SPD, SSR, Transformer, Relay, Button and signal lantern, Regulator, Switching power supply, and solar connector, DC circuit breaker, solar cable, DC Switch-disconnectors, DC combiner box and so on.

As an ISO9001:2008 certified company, we have obtained many certificates, Such as IEC60947, IEC60898, CB, SAA, TUV, CE, SONCAP, RoHS, Nemko, PCT, CCC etc.

Stability, expertise and technological innovation are the corner stones of the company's business strategy.

Aiming at reliable product quality and highest customers satisfaction, we are consistently deepening enterprise inner reform and fully carry out quality guarantee system. Such as the quality of all products is insured under PICC, fully guaranteed consumers, rights. With special cultivation of employees, high investment on production facilities and R&D, and wide range of products, we advocate technology innovation, business honesty and trust and always put quality as our basic principles, trying to develop into a world-class electrical manufacturer with constant efforts.

Technology Innovation, Famous in the world.

BOX
DISTRIBUTION



STSM Serise Distribution Box (Iron Base)

General

Overall panel design is luxury and attractive,the face covering colors are dark green and brown (provided according to the color needs of the different interior residential designs except for the standard colors). The design of the face covering gives a noble and elegant feeling. Pure Ivory,high strength,never change color,transparent material is PC. Fixed frame,simple structure,and easy installation.



Parameters

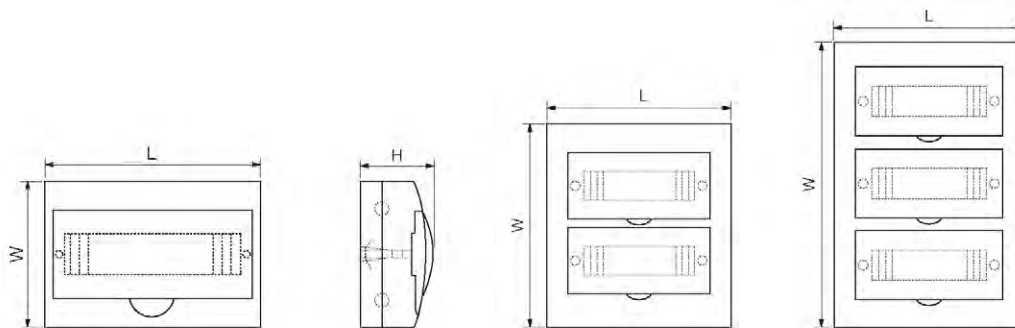
- Shell protection grade: IP30.
- Shell material: ABS polymeric carbon.
- Color: White.
- Face covering: Transparent.



Model description



Outline and mounting dimensions



Open mounted

unit:mm

Model	L	W	H
STSM-4MAI	136	222	110
STSM-6MAI	170	222	110
STSM-8MAI	205	222	110
STSM-12MAI	285	222	110
STSM-15MAI	334	222	110
STSM-18MAI	400	255	110
STSM-24MAI	300	355	110
STSM-36MAI	481	300	110

Concealed mounted

unit:mm

Model	L	W	H
STSM-4RAI	136	222	100
STSM-6RAI	170	222	100
STSM-8RAI	205	222	100
STSM-12RAI	280	222	100
STSM-15RAI	334	222	100
STSM-18RAI	400	255	100
STSM-24RAI	300	355	100
STSM-36RAI	481	300	100

STSM Serise Distribution Box (Plastic Base)

General

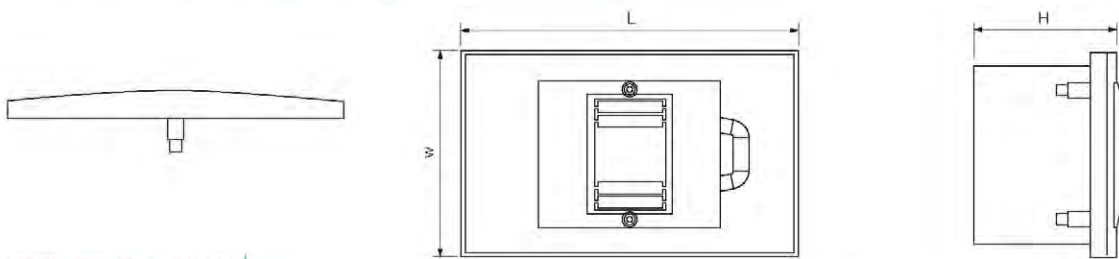
Overall panel design is luxury and attractive,the face covering colors are dark green and brown (provided according to the color needs of the different interior residential designs except for the standard colors). The design of the face covering gives a noble and elegant feeling. Pure Ivory,high strength,never change color,transparent material is PC. Fixed frame,simple structure,and easy installation.



Model description



Outline and mounting dimensions



unit:mm

Open mounted

Model	L	W	H
STSM-2MAP	94	146	85
STSM-4MAP	112	200	94
STSM-6MAP	146	200	94
STSM-8MAP	184	200	94
STSM-10MAP	222	200	94
STSM-12MAP	256	200	94
STSM-15MAP	312	200	94
STSM-18MAP	363	200	94
STSM-24MAP	270	325	94
STSM-36MAP	270	458	94

Concealed mounted

unit:mm

Model	L	W	H
STSM-2RAP	94	146	85
STSM-4RAP	135	222	85
STSM-6RAP	171	222	85
STSM-8RAP	207	222	85
STSM-10RAP	244	222	85
STSM-12RAP	280	222	85
STSM-15RAP	334	222	85
STSM-18RAP	399	251	92
STSM-24RAP	300	344	98
STSM-36RAP	300	481	98

STN Serise Distribution Box

General

STN series of luxury lighting box is divided into two kinds,concealed mounted type and open mounted type. It is With plastic panel and iron bottom.Two terminals(ground connection and zero connection)in the box are easy for the user wiring and routing.This product is applicable to the modular terminal circuit with AC of 50HZ,rated voted voltages of 220V and 380V.



Features

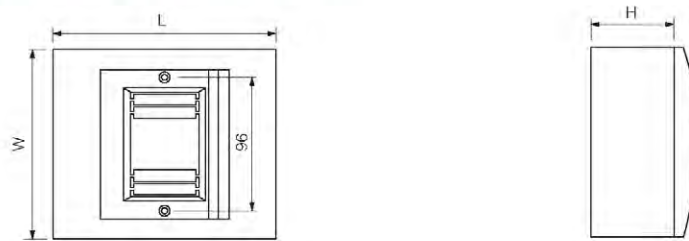
- Design of super-large and clear luminous bars,soft and elegant outline.
- Humanized circuitry symbols,printed display of control circuit breaker,clear and elegant.
- The guide-rail shoe plate has round hole,ot os able to regylate the cover of distribution box to level position.



Model description



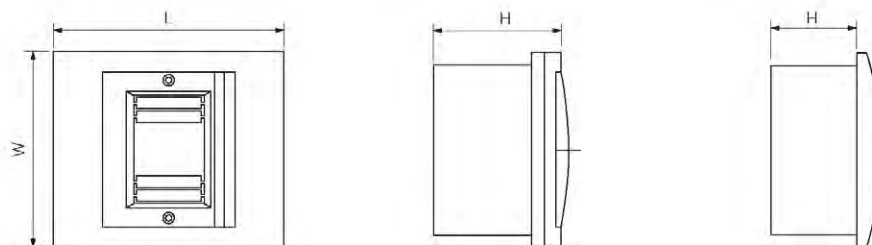
Outline and mounting dimensions



Open mounted

unit:mm

Model	L	W	H
STN-2-4MA	137	161	82
STN-4-6MA	208	208	95
STN-7-9MA	261	208	95
STN-10-13MA	334	208	95
STN-14-16MA	390	208	95
STN-20-26MA	334	416	95
STN-28-32MA	390	416	95



Concealed mounted

unit:mm

Model	L	W	H
STN-2-4RA	137	161	82
STN-4-6RA	208	208	95
STN-7-9RA	261	208	95
STN-10-13RA	334	208	95
STN-14-16RA	390	208	95
STN-20-26RA	334	416	95
STN-28-32RA	390	416	95

STH Serise Distribution Box

General

STH series of luxury lighting box is divided into two kinds,concealed mounted type and open mounted type. It is With plastic panel and iron bottom.Two terminals(ground connection and zero connection)in the box are easy for the user wiring and routing.This product is applicable to the modular terminal circuit with AC of 50HZ,rated voted voltages of 220V and 380V.

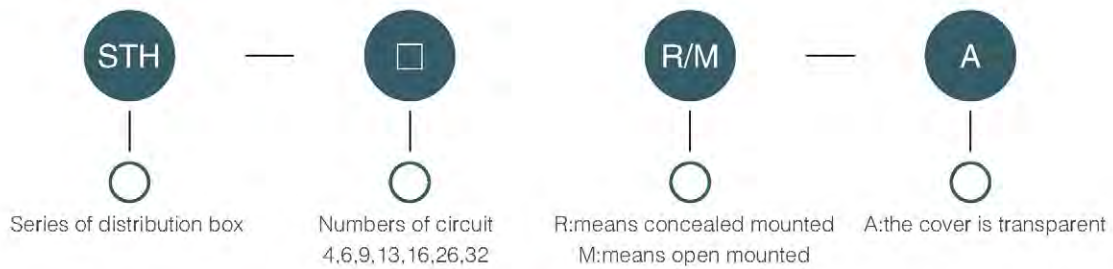


Features

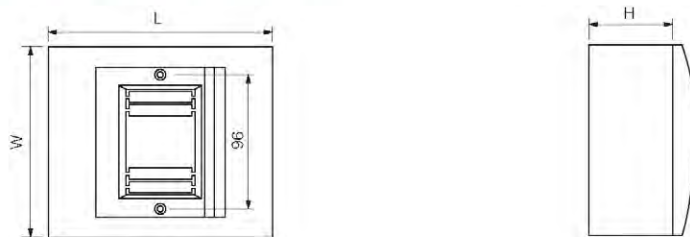
- Humanized circuitry symbols,printed display of control circuit brealer,clear and elegant.
- The guide-rail shoe plate has round hole,ot os able to regylatethe cover of distribution box to level position.
- The distribution box is able to regulate the height automatically within a certa.



Model description



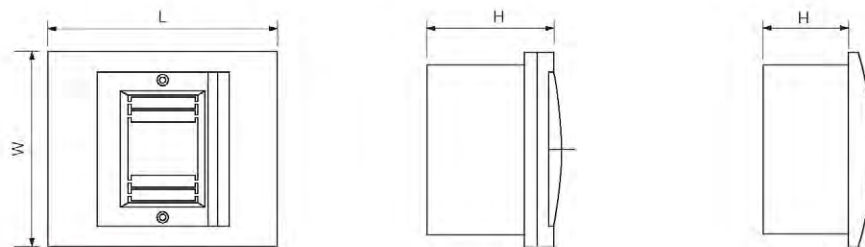
Outline and mounting dimensions



Open mounted

unit:mm

Model	L	W	H
STH-2-4MA	137	161	82
STH-4-6MA	208	208	95
STH-7-9MA	261	208	95
STH-10-13MA	334	208	95
STH-14-16MA	390	208	95
STH-20-26MA	334	416	95
STH-28-32MA	390	416	95



Concealed mounted

unit:mm

Model	L	W	H
STH-2-4MA	137	161	82
STH-4-6MA	208	208	95
STH-7-9MA	261	208	95
STH-10-13MA	334	208	95
STH-14-16MA	390	208	95
STH-20-26MA	334	416	95
STH-28-32MA	390	416	95

SHAG II Serise Distribution Box

General

SHAG II series of surface box is king of good-looking outline small volume. easy to install economically modular distribution box. It mainly use for building electric distribution system's installation,matched and house rebuid fitment etc application The Max rated current is 63A.



Parameters

○ Technique parameter

Distribution box rated current:

1 way to 4 way:50A

6 way to 18 way:63A

○ Material

Insulation:Fire-proof type refractory material

Color:White color

Standard:accord with IEC 060439-3

○ Protective Degree

IEC60529:IP30

Fire-resistant and anomaly heat ability

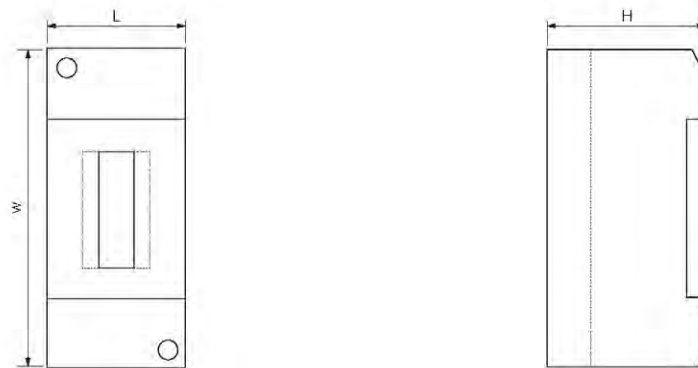
IEC60529-1 standard,650C/30sec

○ Composition,structure.

Removable matte blocks to increase the poles.

The removable various size holes are available on the box of up and down,bottom in case of connecting wires in and out.

Outline and mounting dimensions



unit:mm

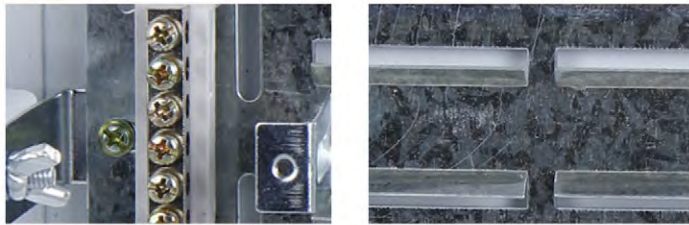
Model	L	W	H
SHAG II-1P	34	130	60
SHAG II-2P	52	130	60
SHAG II-4P	87	130	60
SHAG II-6P	125	160	60
SHAG II-8P	160	160	60
SHAG II-12P	258	160	60
SHAG II-18P	365	160	60

SPS-ABB Serise Distribution Box

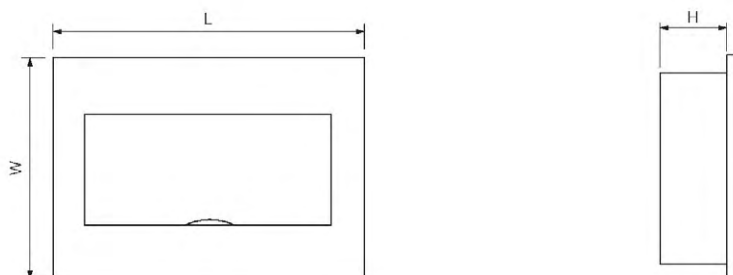
General

SPS-ABB Serise distribution box are made up of transparent cover,metal box,mounting rails,wire,wiring terminal and electrical components. There are two kinds of box: flush mounting and surface mounting.

There are three combinations of The SPS-ABB series distribution box,sigle layer,double layers and thrsss layers. If one unit is 18mm,one layer can be installed 20units,and double layers can be installed 40units,three layers can be installed 60units.



Outline and mounting dimensions



unit:mm

Model	L	W	H
SPS-ABB-7	270	222	90
SPS-ABB-10	324	222	90
SPS-ABB-12	360	222	90
SPS-ABB-16	432	222	90
SPS-ABB-20	504	222	90
SPS-ABB-24	360	454	90
SPS-ABB-32	432	454	90
SPS-ABB-40	504	454	90
SPS-ABB-48	432	674	90
SPS-ABB-60	504	674	90



SUK Type Distribution Box

Features

- With standard BSEN60439-3
- 960' UV stop ABS on body and VO retardnt PC on transparent lids.
- Neutral & Earth terminal link bars assembled.
- Preformed cables or Flexible wires connected on correct terminals.
- Live busbar assembled for necessary MCBs fitting.
- With quarter turn plastic screws easy to open and close the front cover.
- IP40 standard suit to indoor use only.



Model	Part No.	Description
4 Modules	SUK4M100	MS 100A + 2 Outgoing ways
	SUK4R63	RCD 63A + 2 Outgoing ways
8 Modules	SUK8M100	MS 100A + 6 Outgoing ways
	SUK8R63	RCD 63A + 6 Outgoing ways
10 Modules	SUK10M100	MS 100A + 8 Outgoing ways
	SUK10R80	RCD 80A + 8 Outgoing ways
	SUK10SL10063	MS 100A/RCD 63A Split Load + 6 Outgoing ways
14 Modules	SUK14M100	MS 100A + 12 Outgoing ways
	SUK14R80	RCD 80A + 12 Outgoing ways
	SUK14SL10063	MS 100A/RCD 63A Split Load + 10 Outgoing ways
	SUK14DR10063	MS 100A/2 x RCD 63A + 8 Outgoing ways
18 Modules	SUK18M100	MS 100A + 16 Outgoing ways
	SUK18R80	RCD 80A + 16 Outgoing ways
	SUK18SL10080	MS 100A/RCD 80A Split Load + 14 Outgoing ways
	SUK18DR10063	MS 100A/2 x RCD 63A + 12 Outgoing ways
	SUK18RRM10063	MS 100A + 2 RCBO Outgoing /2 x RCD 63A+10 Outgoing ways
21 Modules	SUK21M100	MS 100A + 19 Outgoing ways
	SUK21R80	RCD 80A + 19 Outgoing ways
	SUK21SL10080	MS 100A/RCD 80A Split Load + 17 Outgoing ways
	SUK21DR10063	MS 100A/2 x RCD 80A + 15 Outgoing ways
	SUK21RRM10063	MS 100A + 3RCBO Outgoing /2 x RCD 63A+12 Outgoing ways
24 Modules	SUK24M125	MS 125A + 22 Outgoing ways
	SUK24R80	RCD 80A + 22 Outgoing ways
	SUK24SL12580	MS 125A/RCD 80A Split Load + 20Outgoing ways
	SUK24DR12580	MS 125A/2 x RCD80A + 18 Outgoing ways
	SUK24RRM12580	MS 125A + 4 RCBO Outgoing /2 x RCD 80A+14 Outgoing ways



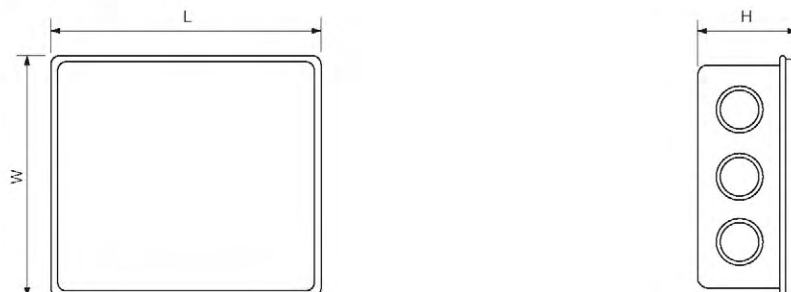
STQ3 Serise Water-proof Junction Box

General

- It is made of materials such as ABS and PC,etc.elegant external shape,high firmness. Combined body and cover are fixed with four plastic screws that are difficult to fall off. Its specification and size can be designed based on the customer requirements. Economic and affordable. Net weight only accounts for the iron box of about 1/4,to facilitate handling and operation,no corrosion,good insulation.
- Waterproof junction box purpose: electrical,electronics,communication,fire fighting equipment,control panel,terminal box,large factory,coastal plant,environmental hazard facility,etc.
- Materials can be selected according to the customer's requirements.

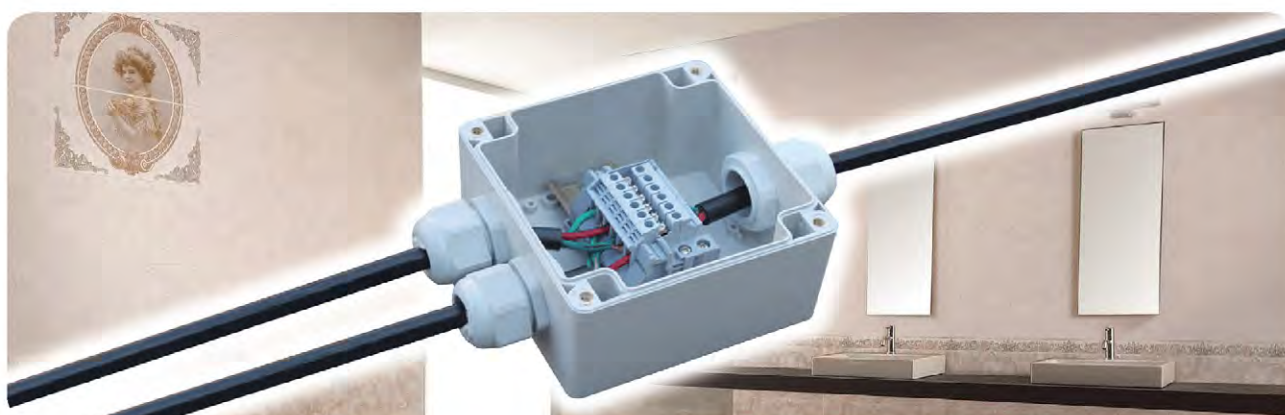


Outline and mounting dimensions



unit:mm

Model	L	W	H
STQ3-801	50		30
STQ3-802	50		50
STQ3-803	80		50
STQ3-804	80	80	50
STQ3-805	85	85	50
STQ3-806	100	100	70
STQ3-807	150	110	70
STQ3-808	150	150	70
STQ3-809	200	100	110
STQ3-8010	200	155	80
STQ3-8011	200	100	70
STQ3-8012	200	200	80
STQ3-8013	255	200	80
STQ3-8014	300	250	120
STQ3-8015	400	350	120



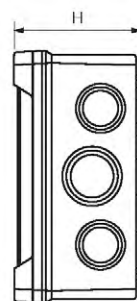
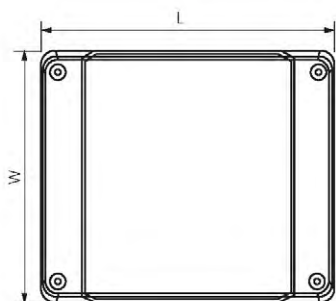
SJK Serise Junction Box

General

- SJK Series junction boxse are made in puncture–resistance high–strength engineering plastics,which has features of waterproof,dampproof,dustproof and anti–corrosion. This superior engineering material meets the high requirements of industrial distributing system,such as all insulation,IP rating as high as IP65,anti–corrosion,anti–heat,maintenance free,flame retardant,self–extinction,light weight and etc. The long–terme economic benefit is higher than normal metal distribution boxes. So it's high quality with reasonable prices. The main products are as following:
- SJK Junction Box(used for sectional 1.5mm^2 – 240mm^2 of conductirs,IP65/IP54).
- Mi Combined Type Distribution Unit(IP65,rating current up to1000A).



Outline and mounting dimensions



unit:mm

Model	L	W	H
9025 (including 4 ESM20 pipe coupling)	88	88	53
9125 (including 4 ESM20 pipe coupling)	88	88	53
9045 (including 4 ESM20 pipe coupling)	98	98	61
9065 (including 4 ESM20 pipe coupling)	119	139	70
9105 (including 4 ESM20 pipe coupling)	125	167	82
9255 (including 4 ESM20 pipe coupling)	160	200	98
9255 (including 4 ESM20 pipe coupling)	160	200	98
9355 (including 4 ESM20 pipe coupling)	210	260	117
9505 (including 4 ESM20 pipe coupling)	310	210	117

Note: the above products(including 4ESM20 pipe coupling)



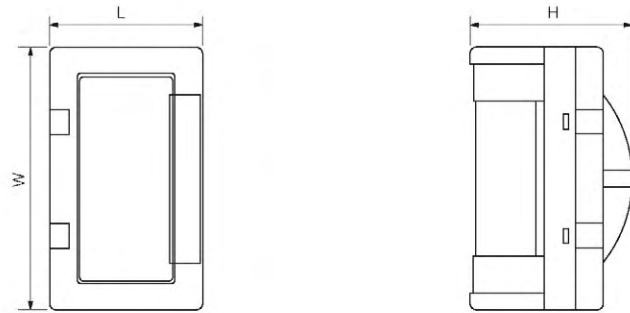
SHAN Serise Water-proof Lighting Box

General

It's waterproof,dustproof,acidproof,alkaliproof,impact resistance,anti-explosion,anti-ultraviolet,insulation and non-conducting. Widely used at these severe environment like outdoor docks,ports,outdoor distribution system,communication,mechanical equipment,chemical industry,oil and etc. The standard color is RAL 7035,and the rating of the sealing box is IP65,both ABS and PC material are available. If made by ABS,the sealing box can only be made into smooth surface without preliminary punching holes,suitable for indoors,it has good resistibility to certain chemical substances such as strong cleaner in the chemical plant.PC material is fiber glassed reinforced,the box body is strengthened,suitable for severe condition and outdoor application,temperature is from-50°C to +120°C ,with good anti-UV performance. The color of the lid is grey or transparent,and the material of lid is PC.



Outline and mounting dimensions(mm)



unit:mm

Model	L	W	H
SHAN-4P	120	220	130
SHAN-8P	192	220	130
SHAN-12P	264	220	130



SHT Serise Water-proof Distribution Box (IP65)

General

SHT Series lighting box is in line with IEC-493-1 standard,attractive and durable,safe and reliable,which is widely used in various places such as factory,mansion,residence,shopping center and so on.



Features

○ Panel is the ABS material for the engineering,high strength,never change color,the transparent material is PC.

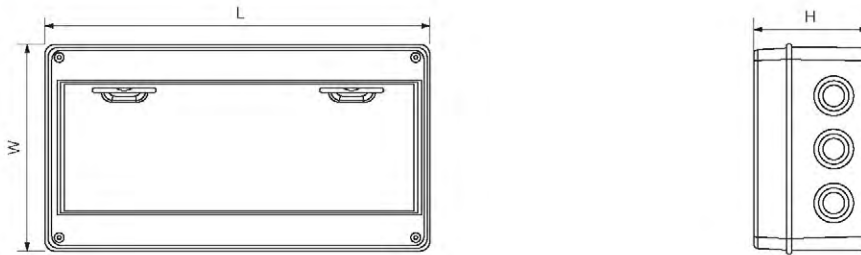
○ Cover push-type opening and closing

Face covering of the distribution box adopts the push-type opening and closing mode,the face mask can be opened by pressing lightly,the self-locking positioning hinge structure is provided when opening.

○ Wiring design of the power distribution box

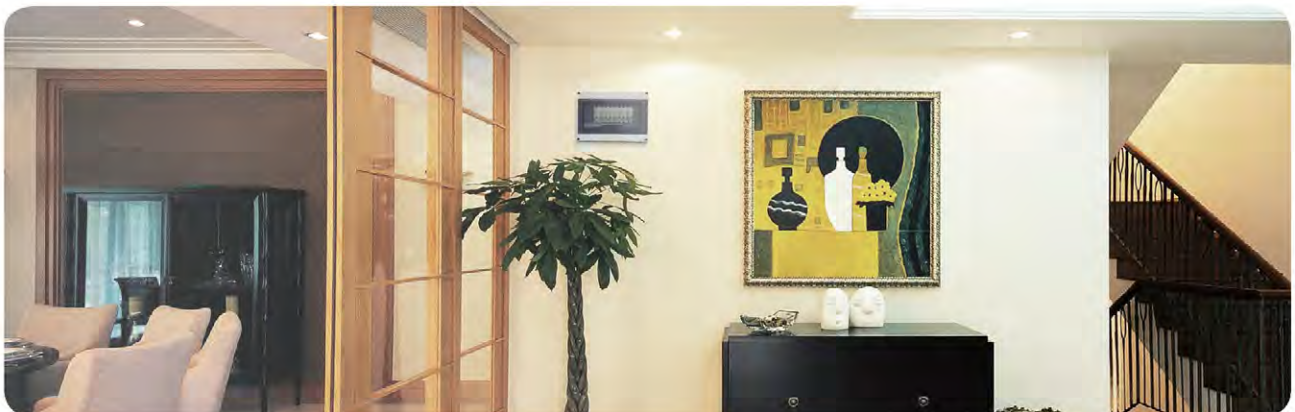
The guide rail support plate can be lifted to the highest movable point,it is no longer limited by the narrow space when installing the wire. To install easily,the switch of the distribution box is set up with the wire groove and wire pipe exit-holes,which are easy to use for a variety of wire grooves and wire pipes.

Outline and mounting dimensions



unit:mm

Model	L	W	H
SHT-5P	119	159	90
SHT-8P	201	155	90
SHT-12P	255	198	108
SHT-15P	309	198	108
SHT-18P	363	198	108



SHK Serise Water-proof Distribution Box (IP65)

General

SHK Series lighting box is in line with IEC-493-1 standard,attractive and durable,safe and reliable,which is widely used in various places such as factory,mansion,residence,shopping center and so on.



Features

○ Panel is the ABS material for the engineering,high strength,never change color,the transparent material is PC.

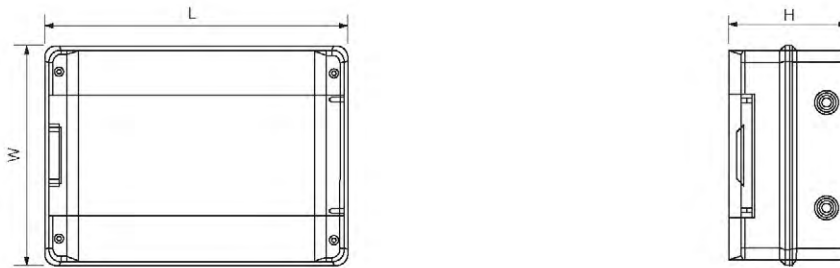
○ Cover push-type opening and closing

Face covering of the distribution box adopts the push-type opening and closing mode,the face mask can be opened by pressing lightly,the self-locking positioning hinge structure is provided when opening.

○ Wiring design of the power distribution box

The guide rail support plate can be lifted to the highest movable point,it is no longer limited by the narrow space when installing the wire. To install easily,the switch of the distribution box is set up with the wire groove and wire pipe exit-holes,which are easy to use for a variety of wire grooves and wire pipes.

Outline and mounting dimensions



unit:mm

Model	L	W	H
SHK-5P	140	140	105
SHK-8P	195	195	105
SHK-12P	268	195	105
SHK-15P	370	195	105



SHA Serise Water-proof Distribution Box (IP65)

General

SHA Series lighting box is in line with IEC-493-1 standard,attractive and durable,safe and reliable,which is widely used in various places such as factory,mansion,residence,shopping center and so on.



Features

○ Panel is the ABS material for the engineering,high strength,never change color,the transparent material is PC.

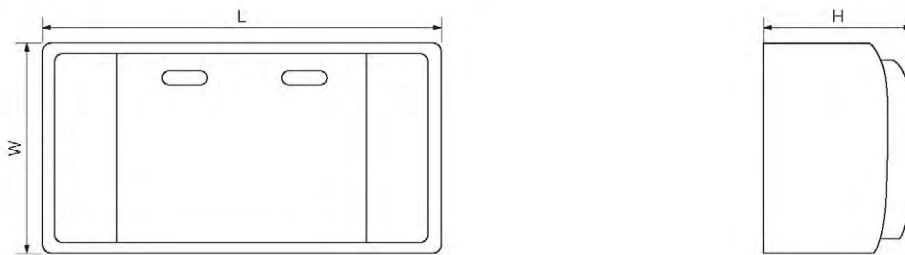
○ Cover push-type opening and closing

Face covering of the distribution box adopts the push-type opening and closing mode,the face mask can be opened by pressing lightly,the self-locking positioning hinge structure is provided when opening.

○ Wiring design of the power distribution box

The guide rail support plate can be lifted to the highest movable point,it is no longer limited by the narrow space when installing the wire. To install easily,the switch of the distribution box is set up with the wire groove and wire pipe exit-holes,which are easy to use for a variety of wire grooves and wire pipes.

Outline and mounting dimensions



unit:mm

Model	L	W	H
SHA-4P	140	140	100
SHA-8P	215	210	100
SHA-12P	300	260	140
SHA-18P	410	285	140
SHA-24P	415	300	140



SME Series

- Standard configuration:
 - Enclosure and door
 - Mounting plate
 - Bar Lock
 - Polyurethane door seal
 - Cable gland plate and gasket
- Degree of protection:IP66 to EN60529
- External mechanical impact resistance:IK10
- Surface treatment:
 - Textured epoxy polyester powder coating
- Material and color:
 - Body and front door:Cold roll steel to paint in RAL7032
- Mounting plate:
 - Galvanized steel or plain steel to paint in RAL2004 smooth finish



Single Door

unit:mm

Model	H	W	D
SME252015	250	200	150
SME302015	300	200	150
SME302515	300	250	150
SME302520	300	250	200
SME303015	300	300	150
SME303020	300	300	200
SME403015	400	300	150
SME403020	400	300	200
SME404020	400	400	200
SME503015	500	300	150
SME503020	500	300	200
SME503025	500	300	250
SME504015	500	400	150
SME504020	500	400	200

Model	H	W	D
SME504025	500	400	250
SME504030	500	400	300
SME505020	500	500	200
SME604015	600	400	150
SME604020	600	400	200
SME604025	600	400	250
SME605015	600	500	150
SME605020	600	500	200
SME605025	600	500	250
SME606025	600	600	250
SME606030	600	600	300
SME705020	700	500	200
SME705025	700	500	250
SME705030	700	500	300

Model	H	W	D
SME806020	800	600	200
SME806025	800	600	250
SME806030	800	600	300
SME808020	800	800	200
SME808030	800	800	300
SME1006025	1000	600	250
SME1006030	1000	600	300
SME1008025	1000	800	250
SME1008030	1000	800	300
SME10010030	1000	1000	300
SME1208030	1200	800	300
SME1208040	1200	800	400
SME12010030	1200	1000	300
SME12010040	1200	1000	400

SMED Series



Double Door

unit:mm

Model	H	W	D	Model	H	W	D	Model	H	W	D
SMED608020	600	800	200	SMED8010030	800	1000	300	SMED12012040	1200	1200	400
SMED608025	600	800	250	SMED10010025	1000	1000	250	SMED14010025	1400	1000	250
SMED608030	600	800	300	SMED10010030	1000	1000	300	SMED14010030	1400	1000	300
SMED6010025	600	1000	250	SMED10010040	1000	1000	400	SMED14010040	1400	1000	400
SMED6010030	600	1000	300	SMED1208030	1200	800	300	SMED14012030	1400	1200	300
SMED708030	700	800	300	SMED1208040	1200	800	400	SMED14012040	1400	1200	400
SMED808030	800	800	300	SMED12010025	1200	1000	250	SMED14014030	1400	1400	300
SMED808040	800	800	400	SMED12010030	1200	1000	300	SMED14014040	1400	1400	400

Note: different size, color and thickness of steel sheet is selectable according to the customer's requirements

SMEP Series



Plexiglass Door

unit:mm

Model	H	W	D
SMEP403015	400	300	150
SMEP403020	400	300	200
SMEP404020	400	400	200
SMEP503020	500	300	200
SMEP503025	500	300	250
SMEP504020	500	400	200
SMEP504025	500	400	250
SMEP504030	500	400	300

Model	H	W	D
SMEP604020	600	400	200
SMEP604025	600	400	250
SMEP605020	600	500	200
SMEP605025	600	500	250
SMEP606025	600	600	250
SMEP606030	600	600	300
SMEP705025	700	500	250
SMEP705030	700	500	300

Model	H	W	D
SMEP806025	800	600	250
SMEP806030	800	600	300
SMEP1006025	1000	600	250
SMEP1006030	1000	600	300
SMEP1008025	1000	800	250
SMEP1008030	1000	800	300
SMEP1208025	1200	800	250
SMEP1208030	1200	800	300

SMEI Series



Internal Door

unit:mm

Model	H	W	D
SMEI403015	400	300	150
SMEI403020	400	300	200
SMEI404020	400	400	200
SMEI503020	500	300	200
SMEI503025	500	300	250
SMEI504020	500	400	200
SMEI504025	500	400	250
SMEI504030	500	400	300

Model	H	W	D
SMEI604020	600	400	200
SMEI604025	600	400	250
SMEI605020	600	500	200
SMEI605025	600	500	250
SMEI606025	600	600	250
SMEI606030	600	600	300
SMEI705025	700	500	250
SMEI705030	700	500	300

Model	H	W	D
SMEI806025	800	600	250
SMEI806030	800	600	300
SMEI1006025	1000	600	250
SMEI1006030	1000	600	300
SMEI1008025	1000	800	250
SMEI1008030	1000	800	300
SMEI1208025	1200	800	250
SMEI1208030	1200	800	300



Scientific power consumption management

In view of frequent use and complicated distribution system of commercial power, Suntree electric meter box focuses on the power management, integrates the complicated distribution system, makes the whole system simple and efficient.

Focus more on safety protection

The industrial fire out of control is usually caused by electrical fire of equipment. Suntree electric meter box adopts the latest flame retardant materials that will not produce any poisonous or harmful substance in daily use.

More durable and wearable

Adoption of the latest manufacturing technique, Suntree Electric lays stress on the stability and durability of the electric meter box. The high quality raw materials and advanced manufacturing technique not only guarantee better stability of meter box, but also ensure safety, shockproof, and acid and alkali proof of the products, which provides powerful guarantee for electric management and power supply!



SCB56 Serise 4 Pole IP66 Enclosure

General

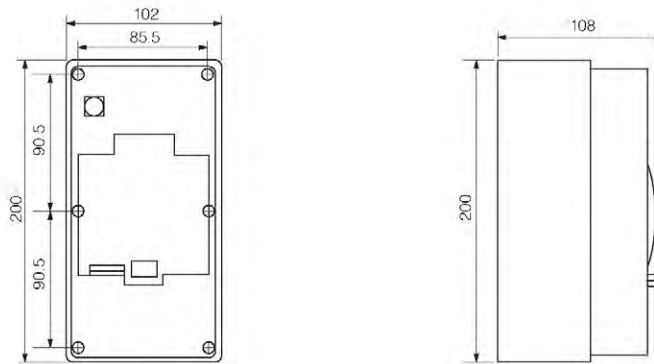
- It offers maximum 4 pole space to accommodate MCB,RCD or MCB/RCD combination. its cover assemblies suits all 66 series mounting back box.
- Deep cover of A66CB4N provides ample wiring room above and below the din rail.



Technical Parameter

- Patea Voltage:250/400V AC
- Patea Frequency:50/60Hz
- IP Protection:IP66

Outline and mounting dimensions(mm)



Specification

Cat No.	Description	Module Type	IP Rating
SCB56-1N	available for 1 to 4 pole,with neon lamp	MCB+RCD's	IP66
SCB56-2N	available for 1 to 4 pole,with neon lamp	MCB+RCD's	IP66
SCB56-3N	available for 1 to 4 pole,with neon lamp	MCB+RCD's	IP66
SCB56-4N	available for 1 to 4 pole,with neon lamp	MCB+RCD's	IP66
SCB56-5N	available for 1 to 8 pole,with neon lamp	MCB+RCD's	IP66
SCB56-6N	available for 1 to 8 pole,with neon lamp	MCB+RCD's	IP66
SCB56-7N	available for 1 to 8 pole,with neon lamp	MCB+RCD's	IP66
SCB56-8N	available for 1 to 8 pole,with neon lamp	MCB+RCD's	IP66



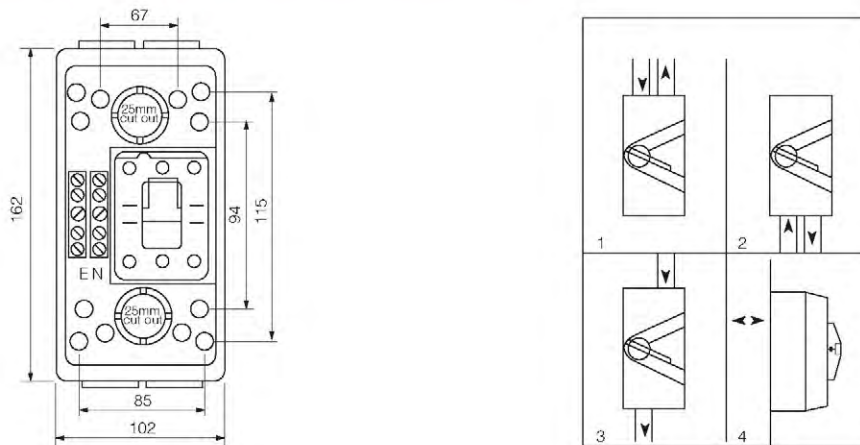
SUKF Serise Weather Protected Switch

General

- Cables looped in and out from overhead
- In and out from underground
- In and out straight through the switch
- Two 25mm rear knockouts are moulded in the base for surface mounting with concealed wiring.



Outline and mounting dimensions(mm)



Note: Dual 25mm screw conduit entries top and bottom(up to 55amp.) allows four ways to surface wire the switch.

Products Available

IP rating

SUKF1-20	20A 500V Single pole surface. Terminals accommodate 16mm ² cable. M Rating 220	56
SUKF1-35	35A/63A 250V Single pole. Terminals accommodate 16mm ² cable. M Rating 220	56
SUKF1-63		56
SUKF2-20	20A 440V double. Terminals accommodate 16mm ² cable. M Rating 180	56
SUKF2-35	35A 440V double. Terminals accommodate 16mm ² cable. M Rating 180	56
SUKF2-63	63A 440V double. Terminals accommodate 16mm ² cable. M Rating 180	56
SUKF3-20	20A 440V Triple Pole. Terminals accommodate 16mm ² cable. M Rating 180	56
SUKF3-35	35A 440V Triple Pole. Terminals accommodate 16mm ² cable. M Rating 180	56
SUKF3-63	55A 440V Triple Pole. Terminals accommodate 16mm ² cable. M Rating 180	56
SUKF4-20	20A 440V Triple Pole. Terminals accommodate 16mm ² cable. M Rating 180	56
SUKF4-35	35A 440V Triple Pole. Terminals accommodate 16mm ² cable. M Rating 180	56
SUKF4-63	55A 440V Triple Pole. Terminals accommodate 16mm ² cable. M Rating 180	56
SUKF3-55-32CE	55A 440V Triple Pole. With 32mm conduit entry at each end. Terminals accommodate 16mm ² cables. M Rating 160.	56
SUKF3-63-32CE	63A 440V Triple Pole. With 32mm conduit entry at each end. Terminals accommodate 16mm ² cables. M Rating 160.	56



Waterproof Industrial Switchgear Series

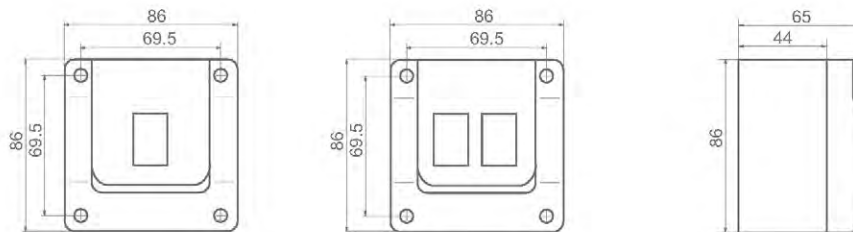
Description

STSS series is a impact resistant surface mounting switch,designed for general purpose application like outdoor lighting control,illumination sign etc.



Cat No.	Rating(Amps)	No.of Gangs	IP Rating
STSS110	10A	1 Gang	switch
STSS115	15A	1 Gang	switch
STSS210	10A	2 Gang	switch
STSS215	15A	2 Gang	switch

Dimensions(mm)



Power Point Stsp

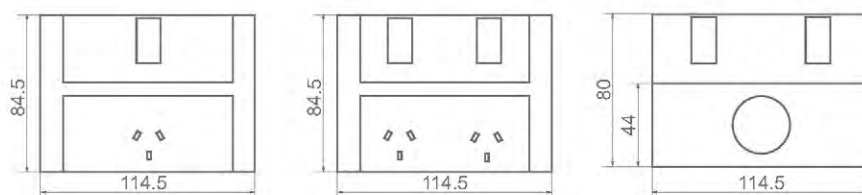
Description

STSP series is a impact resistant surface mounting switch,designed for general purpose application like outdoor lighting control,illumination sign etc.



Cat No.	Rating(Amps)	No.of Gangs	IP Rating
STSP110	10A	1 Gang	switch
STSP115	15A	1 Gang	switch
STSP210	10A	2 Gang	switch
STSP215	15A	2 Gang	switch

Dimensions(mm)



SF7 Fuse Fittings

- Self cleaning, self aligning base contacts
- 100A in 2a and 2B fuse dimensions
- Front and rear wire versions in black or clear
- NSW intrusion barrier sealable versions
- Made from flame retardant thermoplastic

Standards

Australian Standard AS60269

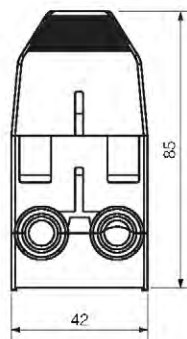
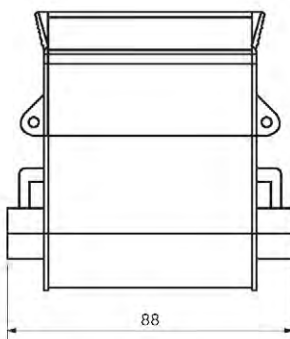


Range

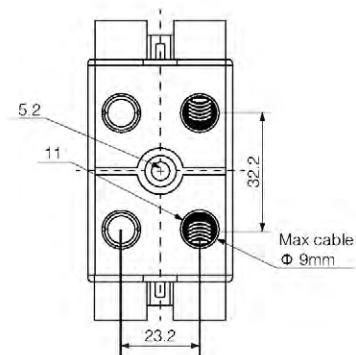
Rated current (Ie)	100A
Rated voltage (Ue)	500V
Rated peak withstand current	33kA
Rated impulse withstand voltage(Uimp)	8kV
Screw mounting size (all)	M5
Weight 1P (Front wire)	0.3kg
Max Cable Size (front / rear)	50mm ²
Maximum tightening torque (front)	3–4Nm
Fuse type available	2a / 2b

Rated Current (A)	Type of Connection	Colour	Pack Quantity
100A	100A back wire 2a fuse	Black	10
	100A front wire 2a fuse		
125A	125A back wire off load disconnecter including M5 nylon mounting screw	Clear	
	125A front wire off load disconnecter including M5 nylon mounting screw		
100A	100A back wire 2b fuse	Black	
	100A back wire 2B fuse, socket screws		
	100A front wire 2b fuse	Clear	
	100A front wire 2b fuse		
	100A back wire 2b fuse + barrier	Black	
	100A front wire 2b fuse + barrier		
	100A back wire 2b fuse + barrier	Clear	
	100A front wire 2b fuse + barrier		

Dimensions(mm)



Front and Back Wire Models



Back Wire Drilling

Safeclip Fuse Fittings

- Self cleaning, self aligning base contacts
- Clip-in fuse links, no tools required for fuse replacement
- Full shrouded contacts, IP20 degree of protection
- DIN rail mounting with easy to remove carrier
- Made from flame retardant thermoplastic

Standards

Australian Standard AS60269 and BS88 Part 6

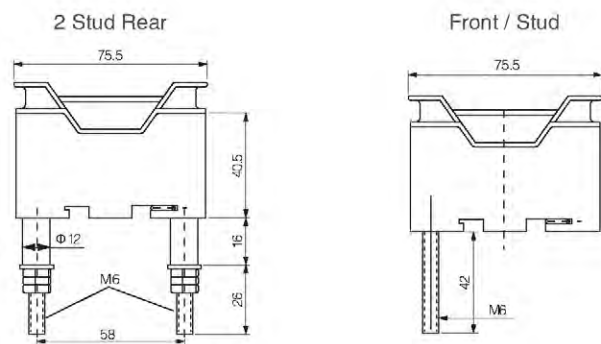
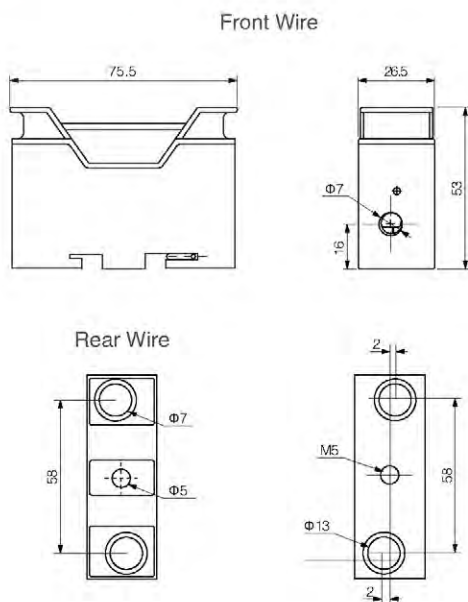


Range

Rated current (Ie)	32A
Rated voltage (Ue)	550V
Rated peak withstand current	80kA
Rated impulse withstand voltage (Uimp)	8kV
Screw mounting size (all)	M5
Weight 1P (Front wire)	0.1kg
Max Cable Size (front / rear)	16mm ²
Maximum tightening torque (front)	1.5-2Nm
Fuse type (suit all)	NS_

Rated Current (A)	Type of Connection	Colour	Pack Quantity
20A	Front Wire	Black	10
		White	
32A	Front Wire	Black	
		White	
	Back Wire	Black	
	Busbar / Front	Black	
	2 Stud Rear	Black	5
	2 Stud Rear	White	
-	Solid Neutral Link - suit white base	-	10
	Protective Boot - suit rear stud mod	Black	

Dimensions(mm)



Panel Drilling
Rear Wire & Rear Stud
(front view)

Mounting Enclosures (Back Boxes)

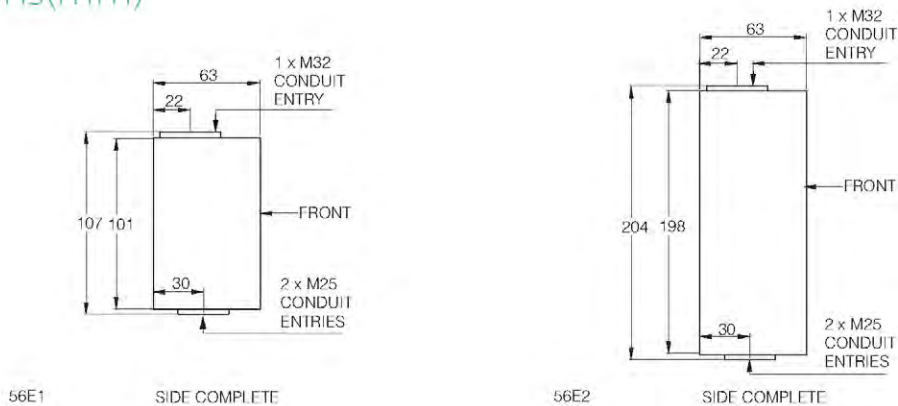
- All Suntree Mounting Back Boxes are moulded in UV stabilised rigid PVC to facilitate glueing of fittings for conduit entry.
- Ample conduit and cable entries are provided and there is plenty of wiring room for easy installation.
- All screwed conduit entries are provided with plugs. The multigang enclosures feature moulded bridges between modules to ensure switches and sockets sit flush on a continuous surface. Moulded dividers are also available for multigang boxes to segregate services and are standard with 4,6,8,9 and 16 gang enclosures.
- Each enclosure has a number of mounting points and 220/10 Sealing Plugs are provided to double insulate mounting screw heads and ensure the IP rating.
- Moulded gaskets are supplied with switch and socket modules.



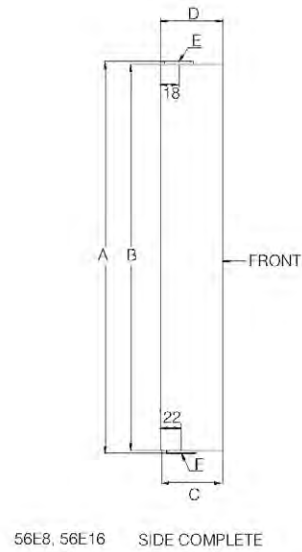
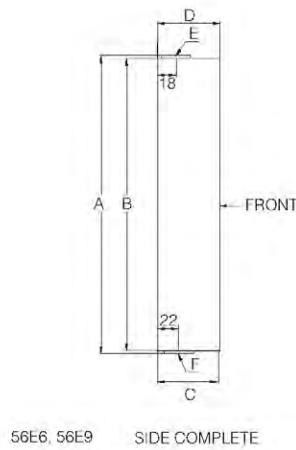
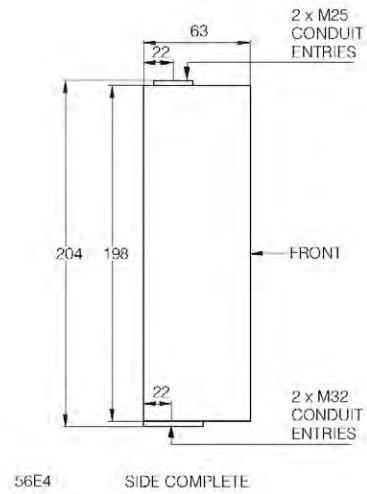
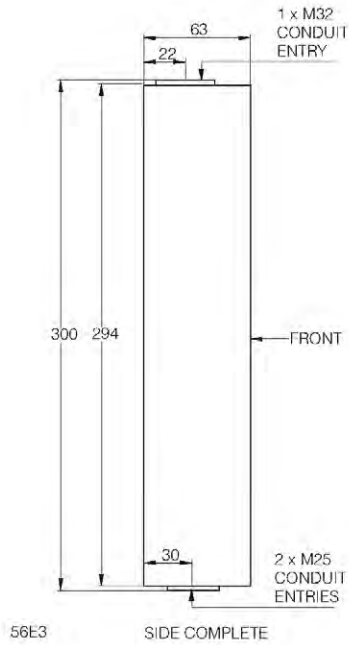
unit:mm

Catalogue Number	No. of Gangs	O/A Dims. (H) × (W) × (D)	Mounting Points	No. of Conduit Entries (mm)	Cut-Out Provision (mm)
56E1	1	63x101x101	8	2 × 25, 1 × 32	1 × 25/32
56E2	2	63x101x198	8	2 × 25, 1 × 32	1x25, 1 × 32
56E3	3	294x101x63	16	2 × 25, 1 × 32	2x25, 1 × 32
56E4	4	63x198x198	16	2 × 25, 2 × 32	2 × 25, 1 × 32, 1 × 40
56E6	6	63x198x294	24	2 × 25, 2 × 32	2 × 25, 2 × 32, 2 × 40
56E8	8	63x198x391	28	2 × 25, 2 × 32	4 × 25, 2 × 32, 2 × 40
56E9	9	391x198x63	28	3 × 25, 3 × 32	4 × 32, 2 × 32, 2 × 40
56E16	16	63x391x391	48	2 × 25, 2 × 32	6 × 25, 6 × 32, 4 × 40

Dimensions(mm)



Dimensions(mm)



Catalogue Number	No. Gangs	Dimensions(mm)				Conduit entries		Cut out Provisions		
		A	B	C	D	E	F	G	H	I
56E6	6	294	300	198	63	2 x M25	2 x M32	25	32	40
56E8	8	392	398	198	63	2 x M25	2 x M32	25	32	40
56E9	9	294	300	294	63	2 x M25	2 x M32	25	32	40
56E16	16	392	398	392	63	2 x M25	2 x M32	25	32	40

Terminal Blocks

Terminal Blocks H

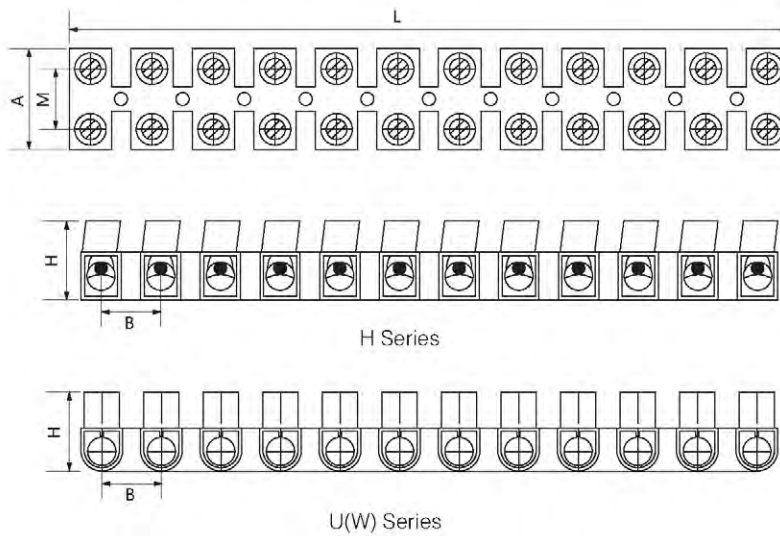
U(W)V(F) Type

Material

Made from PA,PE or PP.



Dimensions



unit:mm

Item No.	External dimensions					Connecting Wire(mm)	Volt	Packing /Bag
	L	A	H	M	B			
HUV-3A	93	16	12	6	8	4	400V	10pcs
HUV-6A	115	15.7	13	6.5	9.5	6		
HUV-10A	126	20.2	15.5	8.4	10.5	10		
HUV-15A	139	23	17.7	10.3	12	12		
HUV-20A	155	25	19.2	11.5	13.5	14		
HUV-30A	171	26	20.5	12	14.5	16		
HUV-60A	192	30	26	13.5	16.5	25		
HUV-80A	205	33	27	15	17	35		
HUV-100A	250	46	31	22	21	40		

Nylon With General Single Hole Metric System M Type



Thread spec.

Metric thread (Metric),PC thread,G (PF-BSP-PS) thread,NPT thread.

Product materials:

ACF parts are made of UL approved nylon PA66 (fire rating UL94V-2) (customization of rating V-0 accepted by UL is available).

B and D parts are made of weatherproof EPDM. (Customization of rubber of cold resistant,high-temperature resistant,acid/alkali proof,chemical resistant or corrosion resistant is available).

IP code:

IP68-10

Operating temperature:

Static state: -40°C ~100°C ,or instantaneous up to 120°C ;
dynamic state: -20°C ~80°C ,or instantaneous up to 100°C .

Features:

Special design between the clamping claws,with large cable clamping range,good stretching resistance,waterproof,dustproof,good capability to resist salt,weak acid,alcohol,oil,grease and general solvent.

Color available:

Black and greywhite,other colors available by customization.

Spare parts



unit:mm

Structure	Spec.	Model	Wire-passing range	Thread O.D.	Thread length	Spanner dia.	Packing
Packing	M12 × 1.5	PA-M12A-05	3.0-5.5	12.0	8.5	18/19	50
		PA-M12A-08	4.5-7.8	12.0	8.5	18/19	50
	M16 × 1.5	PA-M16A-06	3.0-6.0	16.0	15.0	22/22	50
		PA-M16A-10	6.0-10.0	16.0	15.0	22/22	50
	M20 × 1.5	PA-M20A-10	6.0-11.0	20.0	15.0	27/27	50
		PA-M20A-14	9.0-14.0	20.0	15.0	27/27	50
	M25 × 1.5	PA-M25A-16	10.0-16.0	25.0	15.0	33/33	50
		PA-M25A-18	13.0-18.0	25.0	15.0	33/33	50
	M32 × 1.5	PA-M32A-22	15.0-22.0	32.0	15.0	41/42	20
		PA-M32A-25	18.0-25.0	32.0	15.0	41/42	20
	M40 × 1.5	PA-M40A-25	20.0-26.0	40.0	20.0	50/52	10
		PA-M40A-30	24.0-31.0	40.0	20.0	50/52	10
	M50 × 1.5	PA-M50A-33	25.0-33.0	50.0	22.0	62/62	10
		PA-M50A-40	31.0-41.0	50.0	22.0	62/62	10
	M63 × 1.5	PA-M63A-46	39.0-46.0	63.0	25.0	75/75	10
		PA-M63A-51	44.0-51.0	63.0	25.0	75/75	10
	M75 × 2	PA-M75A-56	50.0-56.0	75.0	25.0	92/92	1
		PA-M75A-66	56.0-66.0	75.0	25.0	92/92	1
	M90 × 2	PA-M90A-68	58.0-68.0	90.0	25.0	110/110	1
		PA-M90A-77	66.0-77.0	90.0	25.0	110/110	1
One-piece type B	M10 × 1.5	PA-M10B-06	2.5-6.0	10.0	8.0	12/15	50
	M12 × 1.5	PA-M12BS-07	3.0-7.0	12.0	8.5	18/15	50
		PA-M12BSL-07	3.0-6.5	12.0	15.0	18/15	50
		PA-M12B-05	3.0-5.5	12.0	8.5	18/19	50
		PA-M12B-08	4.0-8.0	12.0	8.5	18/19	50
		PA-M12BL-08	4.0-8.0	12.0	15.0	18/19	50
	M16 × 1.5	PA-M16BS-08	4.0-8.0	16.0	10.0	22/19	50
		PA-M16BSL-08	4.0-8.0	16.0	15.0	22/19	50
		PA-M16B-06	3.0-7.0	16.0	10.0	22/22	50
		PA-M16B-10	5.0-10.0	16.0	10.0	22/22	50
		PA-M16BL-10	5.0-10.0	16.0	15.0	22/22	50
	M18 × 1.5	PA-M18B-10	5.0-10.0	18.0	10.0	24/22	50
		PA-M18BL-10	5.0-10.0	18.0	15.0	24/22	50
	M20 × 1.5	PA-M20BS-12	6.0-12.5	20.0	10.0	27/24	50
		PA-M20BS-08	4.0-8.0	20.0	10.0	27/24	50
		PA-M20B-10	5.0-10.0	20.0	11.0	27/27	50
		PA-M20B-14	8.5-14.0	20.0	11.0	27/27	50
		PA-M20BL-10	5.0-11.0	20.0	15.0	27/27	50
		PA-M20BL-14	8.5-14.0	20.0	15.0	27/27	50
	M25 × 1.5	PA-M25BS-14	8.5-14.0	25.0	12.0	33/27	50
PA-M25BS-10		5.0-10.0	25.0	12.0	33/27	50	
PA-M25B-18		13.0-18.0	25.0	12.0	33/33	50	
PA-M25BL-18		12.5-18.0	25.0	15.0	33/33	50	
M32 × 1.5	PA-M32B-22	14.0-22.0	32.0	15.0	41/42	20	
	PA-M32B-25	17.0-25.0	32.0	15.0	41/42	20	
M36 × 1.5	PA-M36B-25	17.0-25.0	36.0	12.0	45/42	20	
M40 × 1.5	PA-M40B-25	18.0-25.0	40.0	15.0	50/52	10	
	PA-M40B-30	23.0-30.0	40.0	15.0	50/52	10	
M50 × 1.5	PA-M50B-32	25.0-32.0	50.0	15.0	62/62	10	
	PA-M50B-39	30.0-39.0	50.0	15.0	62/62	10	
M63 × 1.5	PA-M63B-46	35.0-46.0	63.0	18.0	75/65	10	

Nylon With General Single Hole German System Pg,British System G (Pf), American System Npt Series



Thread spec

Metric thread (Metric),PC thread,G (PF-BSP-PS) thread,NPT thread.

Product materials

ACF parts are made of UL approved nylon PA66 (fire rating UL94V-2) (customization of rating V-0 accepted by UL is available).

B and D parts are made of weatherproof EPDM. (Customization of rubber of cold resistant,high-temperature resistant,acid/alkali proof,chemical resistant or corrosion resistant is available).

IP code

IP68-10

Operating temperature

Static state: -40°C ~100°C ,or instantaneous up to 120°C ;
dynamic state: -20°C ~80°C ,or instantaneous up to 100°C .

Features

Special design between the clamping claws,with large cable clamping range,good stretching resistance,waterproof,dustproof,good capability to resist salt,weak acid,alcohol,oil,grease and general solvent.

Color available

Black and greywhite,other colors available by customization.

Spare parts



Structure	Spec.	Model	Wire-passing range	Thread O.D.	Thread length	Spanner dia.	Packing
Split type A	PG7	PA-PG7A-05	2.0--5.0	12.5	8.0	17/19	50
		PA-PG7A-08	4.0--8.0	12.5	8.0	17/19	50
	PG9	PA-PG9A-05	2.0--5.0	15.2	8.5	22/19	50
		PA-PG9A-08	4.0--8.0	15.2	8.5	22/19	50
	PG11	PA-PG11A-06	2.5--6.0	18.6	9.0	24/22	50
		PA-PG11A-10	5.0--10.0	18.6	9.0	24/22	50
	PG13.5	PA-PG13.5A-08	4.0--8.0	20.4	10.0	27/24	50
		PA-PG13.5A-12	7.0--12.5	20.4	10.0	27/24	50
	PG16	PA-PG16A-10	6.0--11.0	22.5	10.8	30/27	50
		PA-PG16A-14	9.0--14.0	22.5	10.8	30/27	50
	PG21	PA-PG21A-16	10.0-16.0	28.3	12.0	36/33	50
		PA-PG21A-18	13.0-18.0	28.3	12.0	36/33	50
	PG29	PA-PG29A-22	15.0-22.0	37.0	12.0	46/41	20
		PA-PG29A-24	18.0-25.0	37.0	12.0	46/41	20
	PG36	PA-PG36A-26	20.0-26.0	47.0	14.0	57/52	10
		PA-PG36A-30	24.0-31.0	47.0	14.0	57/52	10
	PG42	PA-PG42A-32	25.0-32.0	54.0	15.0	64/62	10
		PA-PG42A-39	31.0-39.0	54.0	15.0	64/62	10
	PG48	PA-PG48A-45	36.0-45.0	59.3	16.0	70/78	10
	PG7	PA-PG7B-06	3.0--6.5	12.5	8.0	17/15	50
PA-PG7B-05		6.0-5.5	12.5	8.0	17/19	50	
PA-PG7B-08		4.0--8.0	12.5	8.0	17/19	50	
PG9	PA-PG9B-05	3.0--5.5	15.2	8.2	22/19	50	
	PA-PG9B-08	4.0--8.0	15.2	8.2	22/19	50	
PG11	PA-PG11B-06	3.0--6.0	18.6	10.0	24/22	50	
	PA-PG11B-10	5.0-10.0	18.6	10.0	24/22	50	
PG13.5	PA-PG13.5B-08	4.0--8.0	20.4	10.0	27/24	50	
	PA-PG13.5B-12	6.0--12.5	20.4	10.0	27/24	50	
PG16	PA-PG16B-10	5.0--10.0	22.5	10.8	30/27	50	
	PA-PG16B-14	8.5--14.0	22.5	10.8	30/27	50	
PG19	PA-PG19B-11	5.0-11.0	23.5	11.0	30/27	50	
	PA-PG19B-14	8.5--14.0	23.5	11.0	30/27	50	
PG21	PA-PG21B-14	8.0-14.0	28.3	12.0	36/33	50	
	PA-PG21B-18	12.5-18.0	28.3	12.0	36/33	50	
PG25	PA-PG25B-20	14.0-22.0	30.0	13.0	36/37	50	
PG29	PA-PG29B-22	14.0-22.0	37.0	12.0	46/41	20	
	PA-PG29B-25	17.0-25.0	37.0	12.0	46/41	20	
PG36	PA-PG36B-25	17.0-25.0	47.0	14.0	57/52	10	
	PA-PG36B-30	24.0-31.0	47.0	14.0	57/52	10	
PG42	PA-PG42B-32	25.0-32.0	54.0	15.0	64/62	10	
	PA-PG42B-41	30.0-41.0	54.0	15.0	64/62	10	
PG48	PA-PG48B-38	29.0-38.0	59.3	15.5	70/65	10	
	PA-PG48B-45	35.0-45.5	59.3	15.5	70/65	10	
G1/4	PA-G1/4B-06	3.0--6.0	13.157	8.5	19/19	50	
	PA-G1/4B-08	4.0--8.0	13.157	8.5	19/19	50	
G3/8	PA-G3/8B-07	3.0--7.0	16.662	10.0	22/22	50	
	PA-G3/8B-10	5.0-10.0	16.662	10.0	22/22	50	
G1/2	PA-G1/2B-08	4.0--8.0	20.955	10.0	27/24	50	
	PA-G1/2B-12	6.0-12.0	20.955	10.0	27/24	50	
G3/4	PA-G4/4B-12	7.0-12.0	26.441	12.0	36/33	50	
	PA-G4/4B-18	12.5-18.0	26.441	12.0	36/33	50	
G1	PA-G1B-21	15.0-22.0	33.249	15.0	46/41	20	
	PA-G1B-24	17.0-25.0	33.249	15.0	46/41	20	
G1-1/4	PA-G1-1/4B-25	17.0-25.5	41.91	15.0	57/52	10	
	PA-G1-1/4B-32	24.0-32.0	41.91	15.0	57/52	10	
NPT1/4	PA-NPT1/4B-06	3.0--6.0	13.157	8.5	19	50	
	PA-NPT1/4B-08	4.0--8.0	13.157	8.5	19	50	
NPT3/8	PA-NPT3/8B-06	3.0--6.5	16.662	10.0	22	50	
	PA-NPT3/8B-10	5.0--10.0	16.662	10.0	22	50	
NPT1/2	PA-NPT1/2B-08	4.0--8.0	20.955	10.0	24	50	
	PA-NPT1/2B-12	6.0-12.5	20.955	10.0	24	50	
NPT3/4	PA-NPT3/4B-16	9.0-16.0	26.441	15.0	33	50	
	PA-NPT3/4B-18	12.5-18.0	26.441	15.0	33	50	
NPT1	PA-NPT1B-22	15.0-22.0	33.249	17.0	41	20	
	PA-NPT1B-25	17.0-25.0	33.249	17.0	41	20	
NPT1-1/4	PA-NPT1B-1/4-25	17.0-25.5	41.91	17.0	52	20	
	PA-NPT1B-1/4-32	24.0-32.0	41.91	17.0	52	20	

Self Locking Nylon Cable Ties

Material

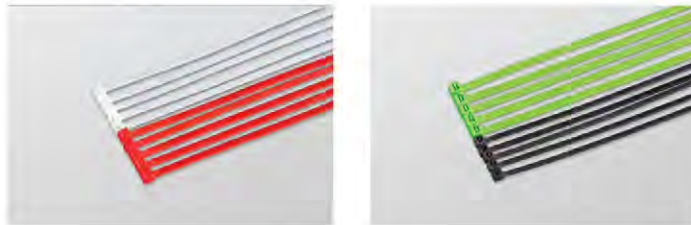
Nylon66,94V-2 certificated by UL. Heat-resisting,erosion control,insulate well and not apt to age.

Color

Natural(or white,standard color),UV black and other colors are available as requested.

Operating Temperature

-35°C to 85°C .



Dimensions

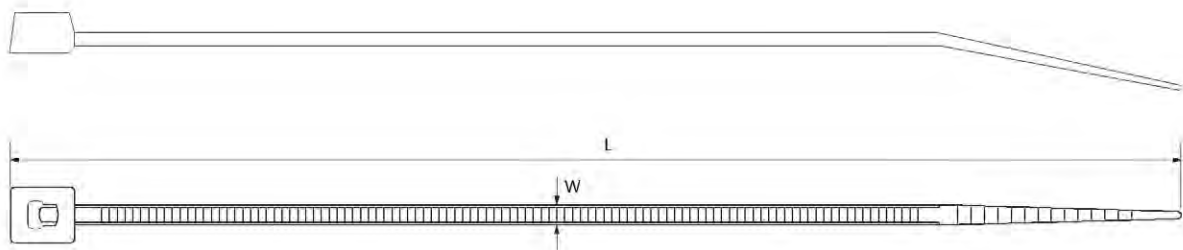
unit:mm

Item No.	L		W	Bundel Diameter	Tensile Strength	
	inch	mm			lbs	kgs
SCT-2.5×80	3.2"	80	2.5	2-16	18	8
SCT-2.5×100	4.0"	100	2.5	2-22	18	8
SCT-2.5×120	4.7"	120	2.5	2-30	18	8
SCT-2.5×150	6.0"	150	2.5	2-35	18	8
SCT-2.5×200	8.0"	200	2.5	2-50	18	8
SCT-3.6×150	6.0"	150	3.6	3-35	40	18
SCT-3.6×180	7.1"	180	3.6	3-42	40	18
SCT-3.6×200	8.0"	200	3.6	3-50	40	18
SCT-3.6×250	10"	250	3.6	3-65	40	18
SCT-3.6×300	12"	300	3.6	3-80	40	18
SCT-3.6×370	14.5"	370	3.6	3-102	40	18
SCT-4.8×200	8.0"	200	4.8	3-50	50	22
SCT-4.8×250	10"	250	4.8	3-65	50	22
SCT-4.8×300	12"	300	4.8	3-80	50	22
SCT-4.8×350	14"	350	4.8	3-90	50	22
SCT-4.8×370	14.5"	370	4.8	3-102	50	22
SCT-4.8×400	16"	400	4.8	3-105	50	22
SCT-4.8×450	18"	450	4.8	3-130	50	22
SCT-4.8×500	20"	500	4.8	3-150	50	22

Dimensions

unit:mm

Item No.	L		W	Bundel Diameter	Tensile Strength	
	inch	mm			lbs	kgs
SCT-7.6 × 200	8.0"	200	7.6	3-50	120	55
SCT-7.6 × 250	10"	250	7.6	4-65	120	55
SCT-7.6 × 300	12"	300	7.6	4-80	120	55
SCT-7.6 × 350	14"	350	7.6	4-90	120	55
SCT-7.6 × 380	15"	380	7.6	4-100	120	55
SCT-7.6 × 400	16"	400	7.6	4-105	120	55
SCT-7.6 × 450	18"	450	7.6	4-110	120	55
SCT-7.6 × 500	20"	500	7.6	4-150	120	55
SCT-7.6 × 550	21.6"	550	7.6	4-160	120	55
SCT-7.6 × 700	28"	700	7.6	4-195	120	55
SCT-9.0 × 400	16"	400	9.0	8-105	175	79.4
SCT-9.0 × 450	18"	450	9.0	8-118	175	79.4
SCT-9.0 × 500	20"	500	9.0	8-150	175	79.4
SCT-9.0 × 550	21.6"	550	9.0	8-160	175	79.4
SCT-9.0 × 600	23.6"	600	9.0	8-170	175	79.4
SCT-9.0 × 650	25.6"	650	9.0	8-185	175	79.4
SCT-9.0 × 700	28"	700	9.0	10-195	175	79.4
SCT-9.0 × 750	29.5"	750	9.0	10-225	175	79.4
SCT-9.0 × 800	31.5"	800	9.0	10-230	175	79.4
SCT-9.0 × 900	35.5"	900	9.0	10-265	175	79.4
SCT-9.0 × 1020	40.1"	1020	9.0	10-300	175	79.4



Marker Ties

Material

Nylon66,94V-2 certificated by UL.Acid control and not easy to age.

Usage

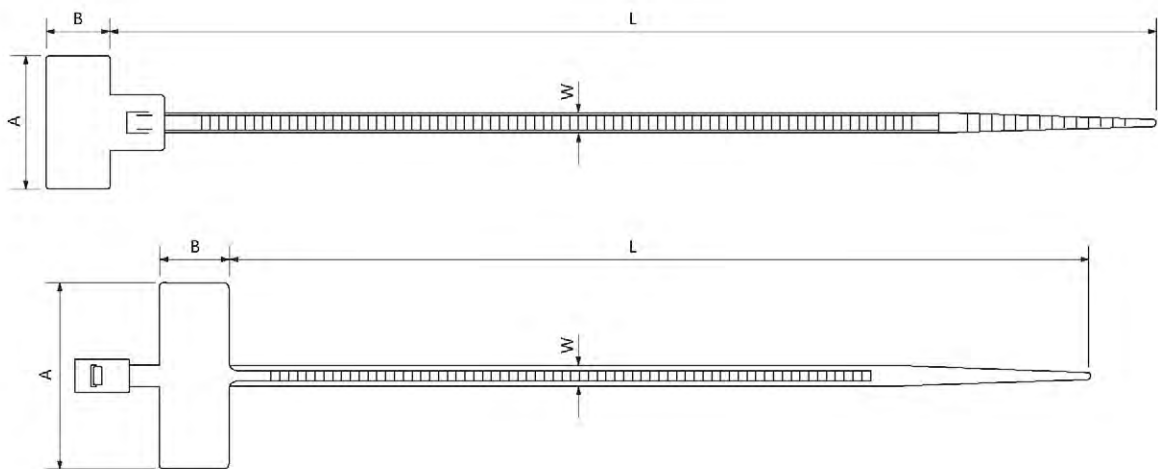
No blank tag at the entrance of cable tie,then write down the marker on the tag.



Dimensions

unit:mm

Item No.	L		W	Bundel Diameter	Tensile Strength		A × B
	inch	mm			lbs	kgs	
SCT-110MT	4 1/3"	110	2.5	22	18	8.0	21 × 10
SCT-100MT	4"	100	2.5	22	18	8.0	25 × 8



Mountable Head Ties

Material

Nylon 66 certificated by UL

Usage

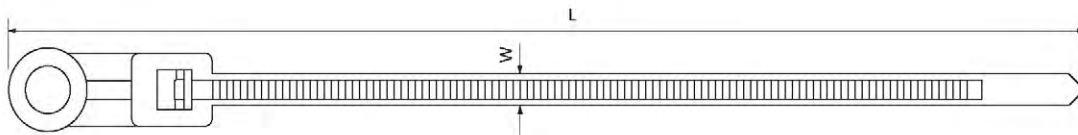
After bundling wires, fix them on plate with screw.



Dimensions

unit:mm

Item No.	L		W	Max.Bundledia	Tensile Strength		Packing
	inch	mm			lbs	kgs	
SCT-100MH	4"	100	2.5	22	18	8.0	100PCS
SCT-100MA	4"	100	3.6	22	40	18	
SCT-150MH	6"	150		32			
SCT-200MH	8"	200	4.8	42	50	22	
SCT-300MH	12"	300	4.8	80	50	22	



Releasable Cable Ties

Material

Nylon 66,94V-2,agreed by UL.Acid and corrode resisting, insulate,last long and not apt to age.

Usage

Insert tie to the hole of table and tighten it.



Dimensions

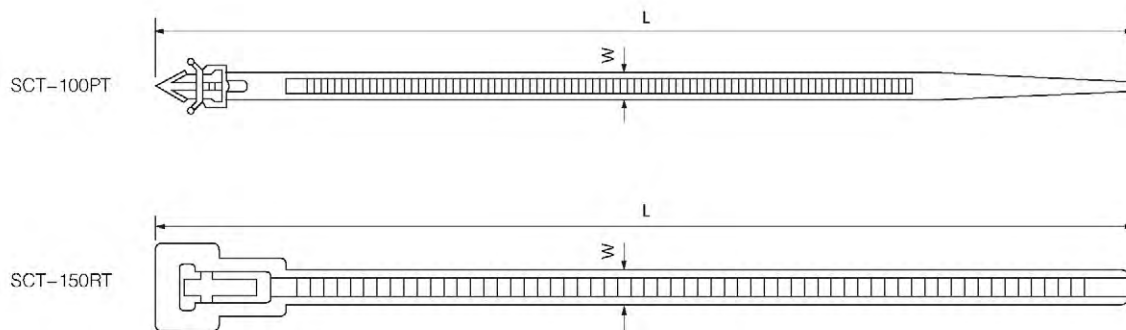
unit:mm

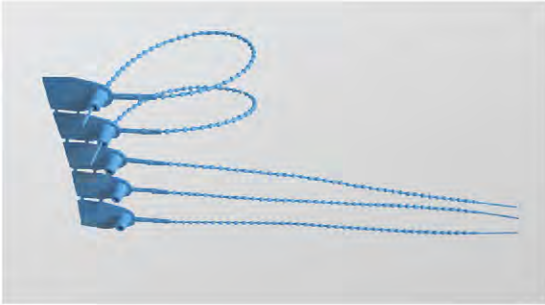
Item No.	L		W	Max.Bundledia	Tensile Strength		Hole Dia(Φ)		Panel Thickness		Packing
	inch	mm			lbs	kgs	inch	mm	inch	mm	
SCT-100PT	4"	100	2.5	22	18	8.0	0.189	4.8	0.094	2.4	100PCS

Dimensions

unit:mm

Item No.	L		W	Max.Bundledia	Tensile Strength		Packing
	inch	mm			lbs	kgs	
SCT-150RT	6"	150	7.2	35	50	22	100PCS
SCT-200RT	8"	200	7.2	50	50	22	
SCT-250RT	10"	250	7.2	65	50	22	
SCT-300RT	11"	300	7.2	70	50	22	





Plastic Seals (SCT-301)

Applications

All kinds of Containers, Trucks, Tanks, Doors, Postal services, Courier services, Bags, etc

Material: PP/PE **Specifications:** Plastic with metal inside

Total Length: 295mm/340mm **Flag:** 47mm x 26.5mm

Plastic Seals (SCT-302)

Applications

All kinds of Containers, Trucks, Tanks, Doors, Postal services, Courier services, Bags, etc

Material: PP/PE **Specifications:** All plastic, easy for recycling

Total Length: 340mm **Flag:** 60mm x 20mm

Plastic Seals (SCT-309)

Applications

All kinds of Containers, Trucks, Tanks, Doors, Postal services, Courier services, Bags, etc

Material: PP/PE **Specifications:** Plastic with metal inside

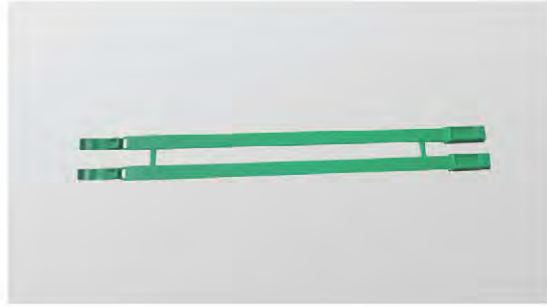
Total Length: 320mm **Flag:** 47mm x 21mm

Printing

Customer's company name & logo, Sequential numbers Bar code is available

Colors

Red, yellow, green, blue, white, black, orange, gray etc. According to customer's requests



Plastic Seals (SCT-310)

Applications

All kinds of Containers, Trucks, Tanks, Doors, Postal services, Courier services, Bags, etc.

Material: PP/PE **Specifications:** All plastic, easy for recycling

Dimension: 250mm(L) × 8.2mm(W) × 1.35mm(Thickness)

Plastic Seals (SCT-311)

Applications

All kinds of Containers, Trucks, Tanks, Doors, Postal services, Courier services, Bags, etc.

Material: PP/PE **Specifications:** All plastic, easy for recycling

Total Length: 370mm **Flag:** 45mm × 20mm

Plastic Seals (SCT-312)

Applications

All kinds of Containers, Trucks, Tanks, Doors, Postal services, Courier services, Bags, etc.

Material: PP/PE **Specifications:** All plastic, easy for recycling

Dimension: 180mm(L) × 8.3mm(W) × 1.35mm(Thickness)

Printing

Customer's company name & logo, Sequential numbers Bar code is available

Colors

Red, yellow, green, blue, white, black, orange, gray etc. According to customer's requests

Stainless Steel Lock Steel Ball Ties

Standard and characteristic

Stainless steel cable technical feature brought to pitch accord with "electric equipment of boat", No. of IEC92, totally is it mould with GB1113-85 metal cable is it bring to pitch to make "and" steel seagoing vessel enter magnitude and build norm "relevant regulation. Pitch and take the normal environment temperature of condition of work -25 degrees Centigrade -160 degrees Centigrade, $\geq 500N$ of pulling force, noumenonn material ICr18Ni9. Suitabele for tying up the cable in the internal and external places of the room, such as in the open, humidity, high temperature, etc., resist and rub, be anticorrosive, resist and radiate and fire prevention performance.



Dimensions

unit:mm

Specification	Specification	Specification
4.6 × 127	7.6 × 150	13 × 200
4.6 × 152	7.6 × 200	13 × 250
4.6 × 200	7.6 × 250	13 × 300
4.6 × 250	7.6 × 300	13 × 350
4.6 × 300	7.6 × 350	13 × 400
4.6 × 350	7.6 × 400	13 × 450
4.6 × 400	7.6 × 450	13 × 500
4.6 × 450	7.6 × 500	13 × 550
4.6 × 500	7.6 × 550	13 × 600
4.6 × 550	7.6 × 600	13 × 650
4.6 × 600	7.6 × 650	13 × 700
4.6 × 650	7.6 × 700	13 × 750
4.6 × 700	7.6 × 750	13 × 800
4.6 × 750	7.6 × 800	13 × 850
4.6 × 800	7.6 × 850	13 × 900
	7.6 × 900	13 × 950
	7.6 × 950	13 × 1000
	7.6 × 1000	13 × 1050
	7.6 × 1050	13 × 1100
	7.6 × 1100	13 × 1200

Circle Cable Clips

Material

PP,Steel nail.

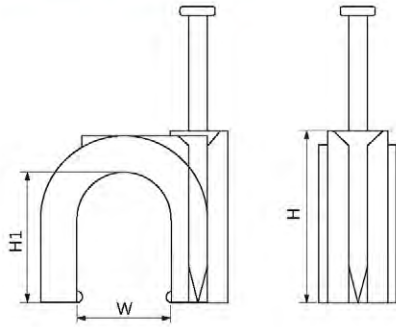
How to use

Put the cable under the clip and hammer the nail into the wall to secure the cable.

Application

Securing of cables for general indoor wiring.

Dimensions



unit:mm

Item No.	H	R	Nail	Packing
4	5.3	4	1.7 × 15	100pcs
5	6.5	5	1.7 × 15	
6	8.1	6	1.7 × 17	
7	8.7	7	1.8 × 19	
8	9.6	8	1.9 × 21	
9	10.7	9	2.0 × 22	
10	11.7	10	2.05 × 25	
12	12.8	12	2.05 × 27	
14	14.9	14	2.4 × 32	
16	16.9	16	2.5 × 35	
18	20.8	18	2.5 × 37	
20	23.6	20	2.8 × 42	
22	25.0	22	2.8 × 48	
25	27.7	25	3.2 × 48	
30	33.1	30	3.2 × 53	
35	36.6	35	3.2 × 58	
40	45.2	40	3.4 × 60	

Cable Tie Mount

Material

UL approved Nylon 66,94V-2,with imported adhesive sticker.
Good insulation,long lasting and uneasy to age.

How to use

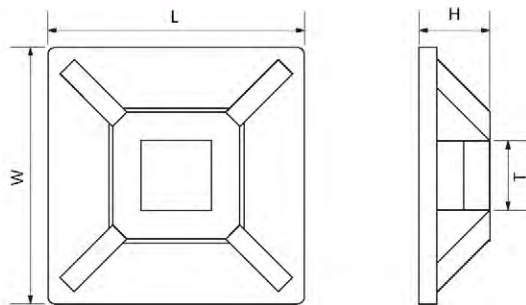
Remove the cover of the adhesive and stick the piece properly,then put in cable tie for using.

Application

Used where hole-drilling is not allowed.easy and time-saving.



Dimensions



unit:mm

Item No.	L x W	H	T	Carton Size	Pcs/Ctn	kg
SCT-20M	20 x 20	6.1	5.0	52 x 35 x 36	20000	20/18
SCT-25M	25 x 25	7.5	6.2	52 x 35 x 36	10000	19/17
SCT-30M	30 x 30	8.7	6.4	54 x 33 x 32	6000	18/16
SCT-40M	40 x 40	6.4	10.8	54 x 33 x 32	3000	17/15

Busbar Pin

Material

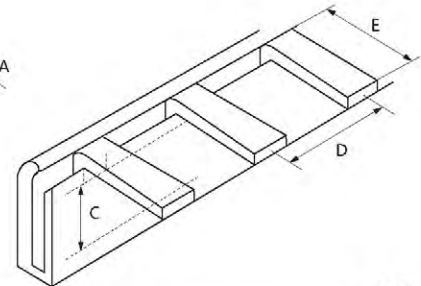
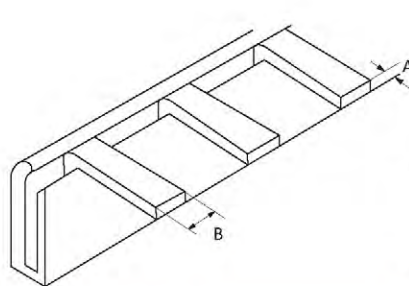
Copper

Features

good conductivity, low contact resistance, safe and reliable



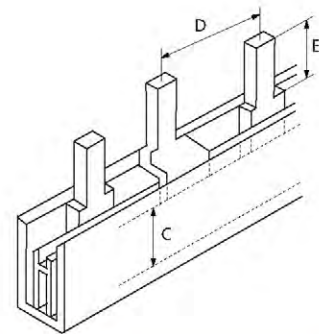
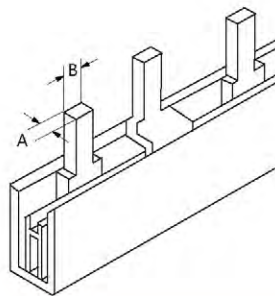
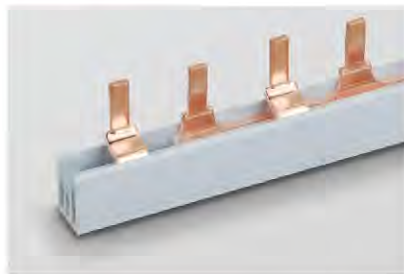
PIN-(1P)



unit:mm

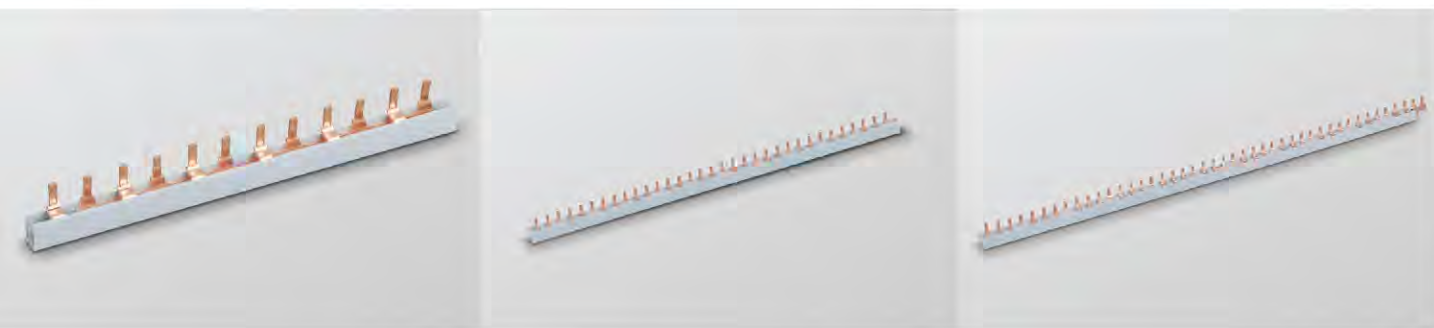
Specification	Model	A	B	C	D	E	Cross-Sectional Area	Reference Current
PIN	1P	1.5	4	9	17.8	11.5	13mm ²	80A
PIN	1P	1.8	4	9	17.8	11.5	16mm ²	100A

PIN-(2P)

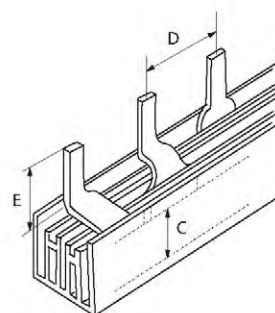
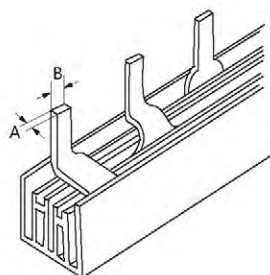


unit:mm

Specification	Model	A	B	C	D	E	Cross-Sectional Area	Reference Current
PIN	2P	1.5	4	9	17.8	11.5	13mm ²	80A
PIN	2P	1.8	4	9	17.8	11.5	16mm ²	100A



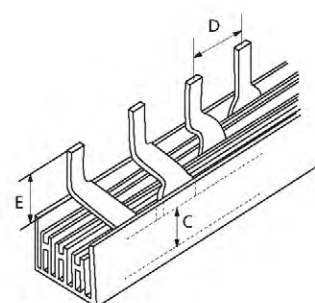
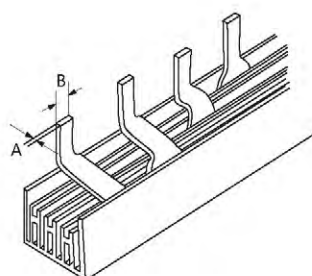
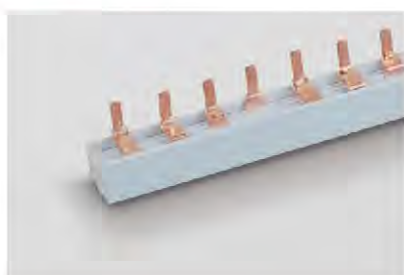
PIN-(3P)



unit:mm

Specification	Model	A	B	C	D	E	Cross-Sectional Area	Reference Current
PIN	3P	1.5	4	9	17.8	11.5	13mm ²	80A
PIN	3P	1.8	4	9	17.8	11.5	16mm ²	100A

PIN-(4P)



unit:mm

Specification	Model	A	B	C	D	E	Cross-Sectional Area	Reference Current
PIN	4P	1.5	4	9	17.8	11.5	13mm ²	80A
PIN	4P	1.8	4	9	17.8	11.5	16mm ²	100A

Busbar Fork

Material

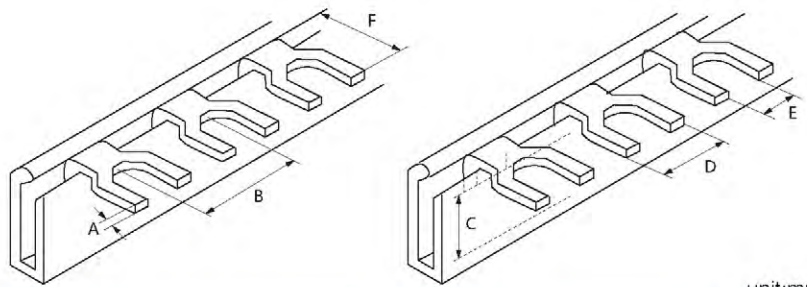
Copper

Features

good conductivity, low contact resistance, safe and reliable



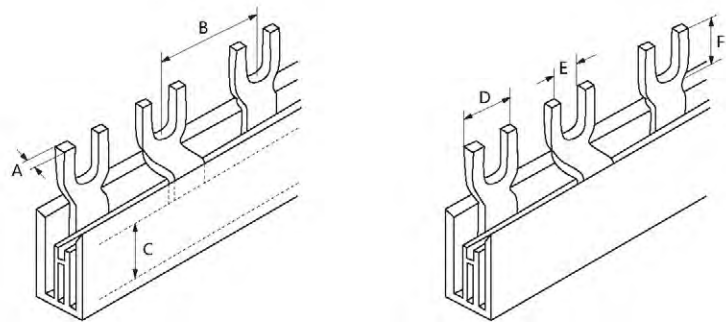
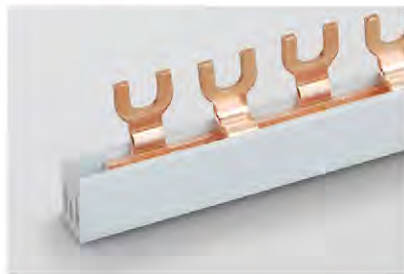
FORK-(1P)



unit:mm

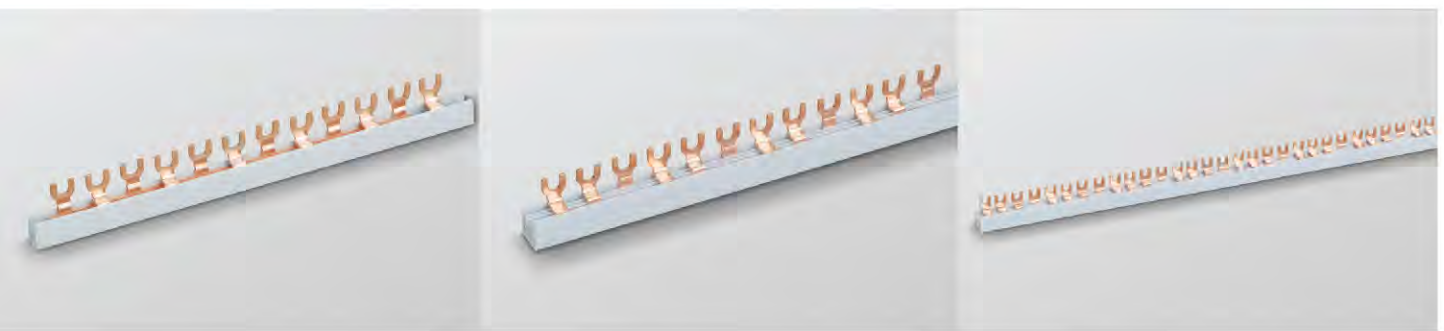
Specification	Model	A	B	C	D	E	F	Cross- Sectional Area	Reference Current
FORK	1P	1.5	17.8	9	12	6	12	13mm ²	80A
FORK	1P	1.8	17.8	9	12	6	12	16mm ²	100A

FORK-(2P)

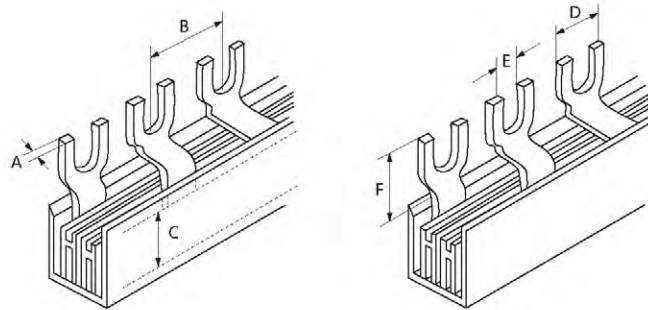
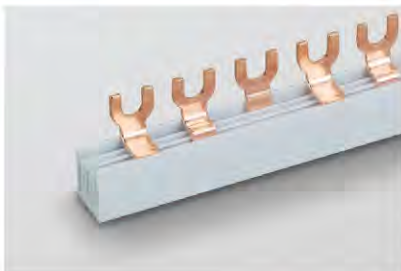


unit:mm

Specification	Model	A	B	C	D	E	F	Cross- Sectional Area	Reference Current
FORK	2P	1.5	17.8	9	12	6	12	13mm ²	80A
FORK	2P	1.8	17.8	9	12	6	12	16mm ²	100A



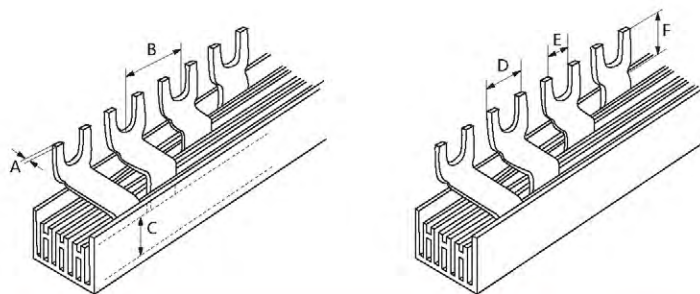
FORK-(3P)



unit:mm

Specification	Model	A	B	C	D	E	F	Cross- Sectional Area	Reference Current
FORK	3P	1.5	17.8	9	12	6	12	13mm ²	80A
FORK	3P	1.8	17.8	9	12	6	12	16mm ²	100A

FORK-(4P)



unit:mm

Specification	Model	A	B	C	D	E	F	Cross- Sectional Area	Reference Current
FORK	4P	1.5	17.8	9	12	6	12	13mm ²	80A
FORK	4P	1.8	17.8	9	12	6	12	16mm ²	100A

Busbar C45

Material

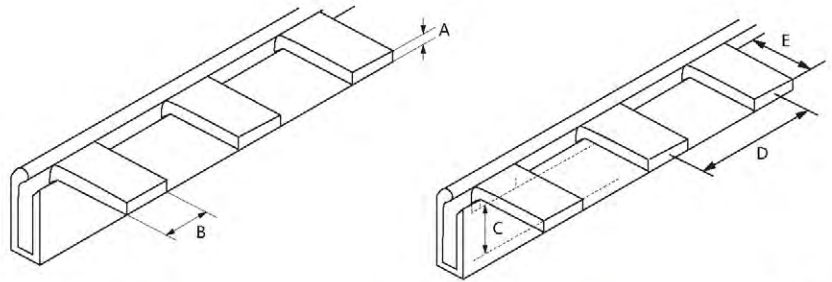
Copper

Features

good conductivity, low contact resistance, safe and reliable



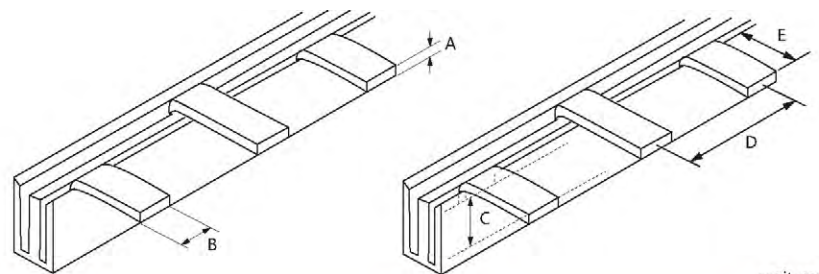
C45-(1P)



unit:mm

Specification	Model	A	B	C	D	E	Cross-Sectional Area	Reference Current
C45	1P	1.5	6	9	17.8	11.5	13mm ²	80A
C45	1P	1.8	6	9	17.8	11.5	16mm ²	100A

C45-(2P)

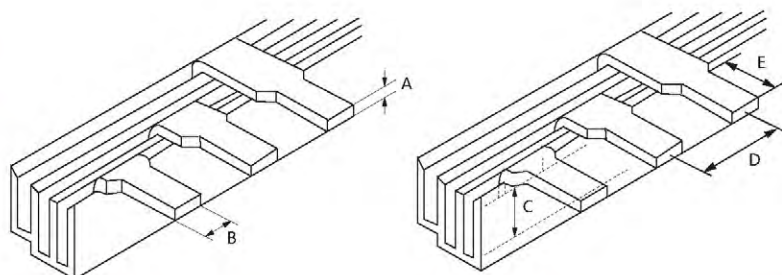


unit:mm

Specification	Model	A	B	C	D	E	Cross-Sectional Area	Reference Current
C45	2P	1.5	6	9	17.8	11.5	13mm ²	80A
C45	2P	1.8	6	9	17.8	11.5	16mm ²	100A



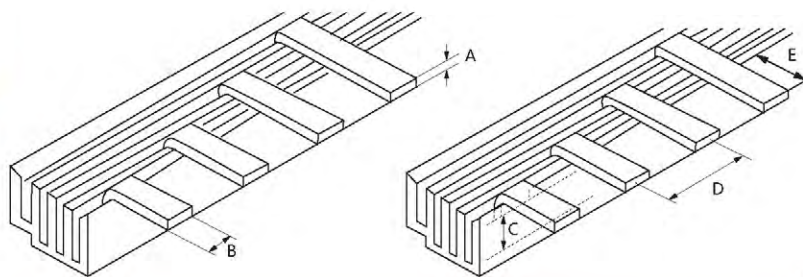
C45-(3P)



unit:mm

Specification	Model	A	B	C	D	E	Cross-Sectional Area	Reference Current
C45	3P	1.5	6	9	17.8	11.5	13mm ²	80A
C45	3P	1.8	6	9	17.8	11.5	16mm ²	100A

C45-(4P)



unit:mm

Specification	Model	A	B	C	D	E	Cross-Sectional Area	Reference Current
C45	4P	1.5	6	9	17.8	11.5	13mm ²	80A
C45	4P	1.8	6	9	17.8	11.5	16mm ²	100A